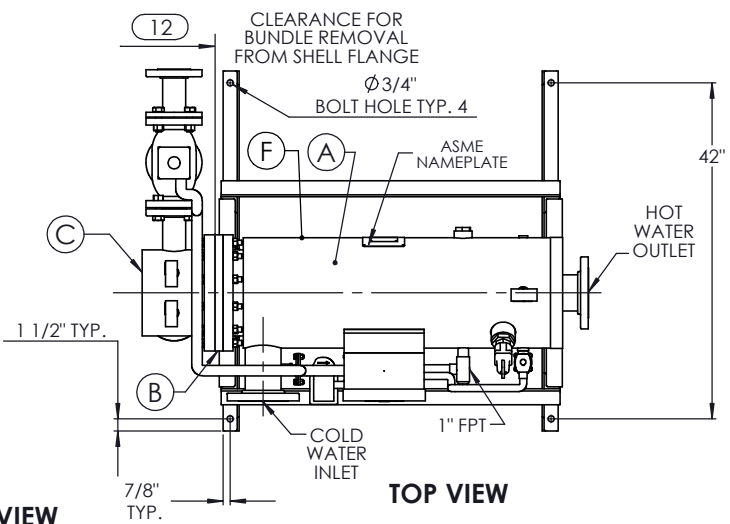
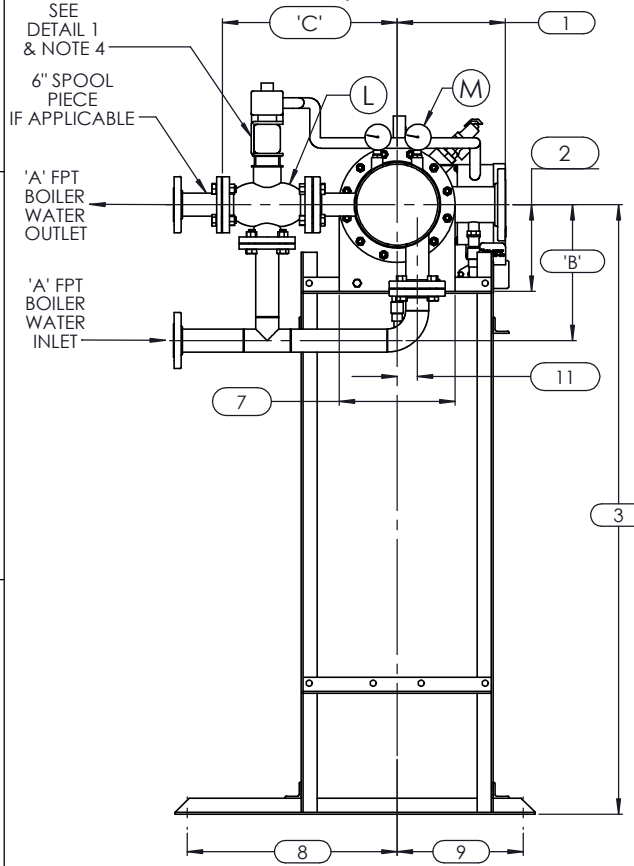


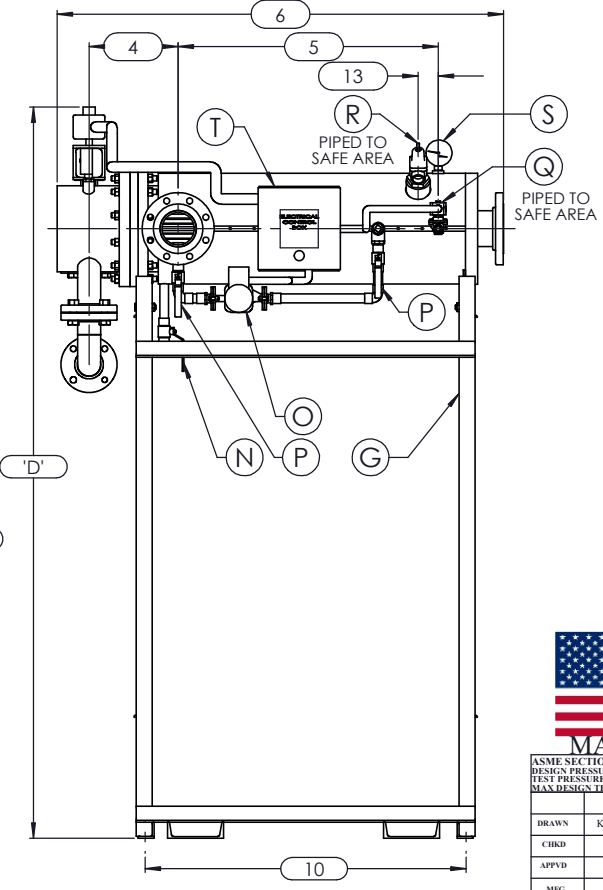
**ISOMETRIC VIEW**



**TOP VIEW**



**LEFT VIEW**

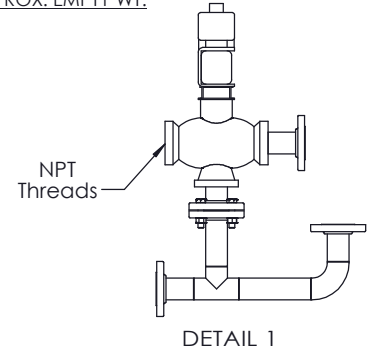


**FRONT VIEW**

**NOTES:**

1. REFER TO PRODUCT SPECIFICATION FOR DESCRIPTION OF LETTERED ITEMS.
2. INSTALLATION: ALL COMPONENTS SHOWN HERE ARE PREWIRED & PREPIPED BY ACE HEATERS, LLC. CUSTOMER WILL ONLY NEED TO PLUMB WATER TO BE HEATED, PIPE STEAM AND CONDENSATE LINES, AND BRING ELECTRICITY TO UNIT.
3. DIMENSIONS ARE SUBJECT TO CHANGE. CONSULT FACTORY FOR TIGHT DIMENSIONS.
4. THIS CONFIGURATION CHANGES FOR VALVE SIZE 1/2" TO 2". SEE DETAIL 1 FOR REFERENCE.

APPROX. EMPTY WT:



 U	CERTIFIED BY <b>Ace Heaters, LLC</b> www.aceheatingllc.com
	MAXIMUM ALLOWABLE WORKING PRESSURE SHELL 150 PSI @ 210 °F TUBES 150 PSI @ 370 °F
	MIN. D.M.T. 0 °F @ 150 PSI S/N _____ YEAR BUILT _____
	MODEL _____ CAPACITY _____ GAL SA. SQFT JOB NO. _____ XXX



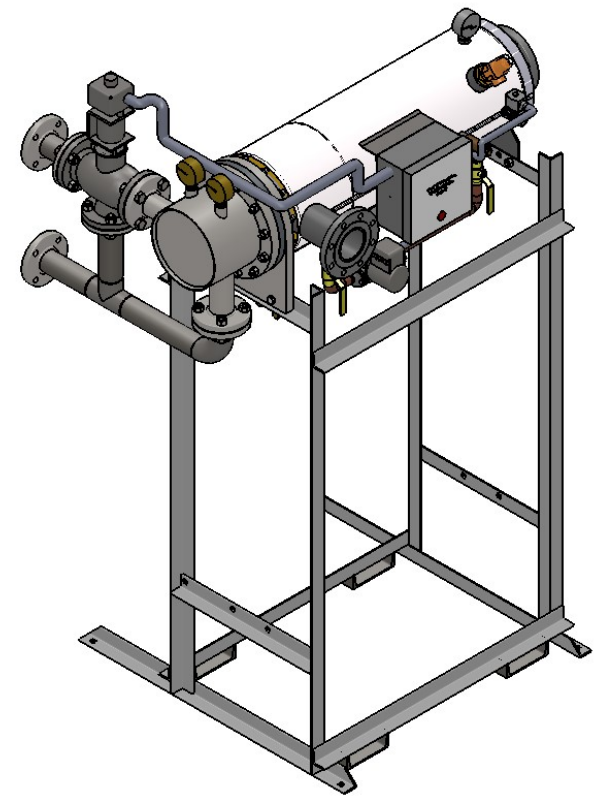
ASME SECTION VIII DIV 1: DESIGN PRESSURE - (150) psig TEST PRESSURE - (195) psig MAX DESIGN TEMPERATURE - 370 °F	
DRAWN	K. JIMENEZ
CHKD	
APPVD	
MFG	
QA	
NAME	DATE
	04/12/2023

<b>Ace Heaters, LLC</b> www.aceheaters.com	
MATERIAL:	TITLE: SIHSW-COVER
FINISH:	MINIPACK SYSTEM-HORIZONTAL-SW
WEIGHT:	WATER 3W-SIEMENS ELECT. OPERATED VALVE PACKAGE - SINGLE UNIT ON DUAL RACK
UNLESS OTHERWISE SPECIFIED DIMENSIONS ARE IN INCHES TOLERANCE	DWG NO. SIHSWWE-1-DR-3W-SIE
DECIMALS .XX ± .05 ANGULAR ± 0.5 MAX SURF ± .010	REV. 02
SCALE: N/A	SHEET: 1 OF 2

SIHSWWE-1-DR-3W-SIE, SW - WATER - SIEMENS ELECTRIC 3-WAY MIXING VALVE PACKAGE SIZE AND LOCATION: SINGLE UNIT ON RACK

MP SIZE	4	5	6	8	8L	10	10L	12	12L	14	14L	16	16L	
ITEMS	1	9 1/2	11 1/2	12	11 9/16	11 9/16	13 7/16	13 7/16	14 7/16	14 7/16	15 3/4	15 3/4	17 5/8	17 5/8
	2	6 5/16	7 11/16	8 3/16	10 1/8	10 1/8	10 13/16	10 13/16	12 1/2	12 1/2	12 1/4	12 1/4	14	14
	3	58 9/16	59 15/16	60 7/16	62 3/8	62 3/8	76 1/16	76 1/16	77 3/4	77 3/4	77 1/2	77 1/2	79 1/4	79 1/4
	4	9 5/8	10 5/8	10 7/8	10 7/8	10 7/8	12 1/2	11 13/16	15 3/4	15 3/4	16 1/8	16 3/8	17 7/8	17 7/8
	5	36	30	36 3/4	31 3/4	37 3/4	32 1/2	38 1/2	33 1/4	45 1/4	40 1/2	55 3/4	50 1/2	65 3/4
	6	56	49	57 3/8	53 7/8	59 7/8	55 1/2	61 1/2	57 15/16	69 15/16	69 7/8	85 1/8	83 5/8	97 5/8
	7	7 1/2	8 5/8	9 3/4	11 3/4	11 3/4	14 3/8	14 3/8	16 1/2	16 1/2	18 1/2	18 1/2	20	20
	8	26 1/2	26 1/2	26 1/2	26 1/2	26 1/2	26 1/2	26 1/2	26 1/2	26 1/2	26 1/2	26 1/2	26 1/2	26 1/2
	9	15 1/2	15 1/2	15 1/2	15 1/2	15 1/2	15 1/2	15 1/2	15 1/2	15 1/2	15 1/2	15 1/2	15 1/2	15 1/2
	10	42 3/4	35 3/4	44 1/8	39 1/8	44 7/8	39 3/4	45 3/4	42	54 1/4	49 3/4	65	62 1/4	76 1/4
	11	1	1 3/8	1 1/2	2 1/16	2 1/16	2 1/2	2 1/2	3 1/16	3 1/16	3 1/8	3 1/8	3 1/4	3 1/4
	12	37	31	38	33	39	34	40	35	47	42	57	53	67
	13	2 1/2	2 1/2	2 1/2	2 1/2	2 1/2	2 1/2	2 1/2	2 1/2	2 1/2	2 1/2	2 1/2	2 1/2	2 1/2
INLET PIPE SIZE		2 THR.	2 1/2	2 1/2	3 FLG.	3 FLG.	4 FLG.	4 FLG.	4 FLG.	4 FLG.	5 FLG.	5 FLG.	6 FLG.	6 FLG.
OUTLET PIPE SIZE		2 THR.	2 1/2	2 1/2	3 FLG.	3 FLG.	4 FLG.	4 FLG.	4 FLG.	4 FLG.	5 FLG.	5 FLG.	6 FLG.	6 FLG.

VALVE SIZE 'A'	ITEM	VALVE SIZE AND OVERALL LOCATION													
1/2"	'B'	56 4/7	58	58 4/9	60 3/8	60 3/8	74	74	75 3/4	75 3/4	75 1/2	75 1/2	77 1/4	77 1/4	
	'C'	11 9/16	12 1/16	12 5/16	13 5/16	13 5/16	15 13/16	15 13/16	17 5/16	17 5/16	19 5/16	19 5/16	21 5/16	21 5/16	
	'D'	68	69 3/8	69 7/8	71 13/16	71 13/16	85 1/2	85 1/2	87 3/16	87 3/16	86 15/16	86 15/16	88 11/16	88 11/16	
3/4"	'B'	56 1/3	57 2/3	58 1/5	60 1/8	60 1/8	73 4/5	73 4/5	75 1/2	75 1/2	75 1/4	75 1/4	77	77	
	'C'	12 3/16	12 11/16	12 15/16	13 15/16	13 15/16	16 7/16	16 7/16	17 15/16	17 15/16	19 15/16	19 15/16	21 15/16	21 15/16	
	'D'	68 13/16	70 3/16	70 11/16	72 5/8	72 5/8	86 5/16	86 5/16	88	88	87 3/4	87 3/4	89 1/2	89 1/2	
1"	'B'	56 5/16	57 11/16	58 3/16	60 1/8	60 1/8	73 13/16	73 13/16	75 1/2	75 1/2	75 1/4	75 1/4	77	77	
	'C'	12 3/4	13 1/4	13 1/2	14 1/2	14 1/2	17	17	18 1/2	18 1/2	20 1/2	20 1/2	22 1/2	22 1/2	
	'D'	69 3/16	70 9/16	71 1/16	73	73	86 11/16	86 11/16	88 3/8	88 3/8	88 1/8	88 1/8	89 7/8	89 7/8	
1 1/4"	'B'	56	57 4/9	58	59 7/8	59 7/8	73 4/7	73 4/7	75 1/4	75 1/4	75	75	76 3/4	76 3/4	
	'C'	13 3/8	13 7/8	14 1/8	15 1/8	15 1/8	17 5/8	17 5/8	19 1/8	19 1/8	21 1/8	21 1/8	23 1/8	23 1/8	
	'D'	69 13/16	71 3/16	71 11/16	73 5/8	73 5/8	87 5/16	87 5/16	89	89	88 3/4	88 3/4	90 1/2	90 1/2	
1 1/2"	'B'	55 9/16	56 15/16	57 7/16	59 3/8	59 3/8	73 1/16	73 1/16	74 3/4	74 3/4	74 1/2	74 1/2	76 1/4	76 1/4	
	'C'	13 15/16	14 7/16	14 11/16	15 11/16	15 11/16	18 3/16	18 3/16	19 11/16	19 11/16	21 11/16	21 11/16	23 11/16	23 11/16	
	'D'	71 3/16	72 9/16	73 1/16	75	75	88 11/16	88 11/16	90 3/8	90 3/8	90 1/8	90 1/8	91 7/8	91 7/8	
2"	'B'	54 9/16	55 15/16	56 7/16	58 3/8	58 3/8	72 1/16	72 1/16	73 3/4	73 3/4	73 1/2	73 1/2	75 1/4	75 1/4	
	'C'	15 1/8	15 5/8	15 7/8	16 7/8	16 7/8	19 3/8	19 3/8	20 7/8	20 7/8	22 7/8	22 7/8	24 7/8	24 7/8	
	'D'	71 15/16	73 5/16	73 13/16	75 3/4	75 3/4	89 7/16	89 7/16	91 1/8	91 1/8	90 7/8	90 7/8	92 5/8	92 5/8	
2 1/2"	'B'	55 15/16	56 7/16	58 3/8	58 3/8	58 3/8	72 1/16	72 1/16	73 3/4	73 3/4	73 1/2	73 1/2	75 1/4	75 1/4	
	'C'	N/A	18 3/16	18 7/16	19 7/16	19 7/16	21 15/16	21 15/16	23 7/16	23 7/16	25 7/16	25 7/16	27 7/16	27 7/16	
	'D'		75 1/8	75 5/8	77 9/16	77 9/16	91 1/4	91 1/4	92 15/16	92 15/16	92 11/16	92 11/16	94 7/16	94 7/16	
3"	'B'			56 3/16	58 1/8	58 1/8	71 13/16	71 13/16	73 1/2	73 1/2	73 1/4	73 1/4	75	75	
	'C'	N/A	N/A	19 1/4	20 1/4	20 1/4	22 3/4	22 3/4	24 1/4	24 1/4	26 1/4	26 1/4	28 1/4	28 1/4	
	'D'			80 11/16	82 5/8	82 5/8	96 5/16	96 5/16	98	98	97 3/4	97 3/4	99 1/2	99 1/2	
4"	'B'			57 3/8	57 3/8	57 3/8	71 1/16	71 1/16	72 3/4	72 3/4	72 1/2	72 1/2	74 1/4	74 1/4	
	'C'	N/A	N/A	21 3/4	21 3/4	21 3/4	24 1/4	24 1/4	25 3/4	25 3/4	27 3/4	27 3/4	29 3/4	29 3/4	
	'D'			85 3/16	85 3/16	85 3/16	98 7/8	98 7/8	100 9/16	100 9/16	100 5/16	100 5/16	102 1/16	102 1/16	
5"	'B'						70	70	71 3/4	71 3/4	71 1/2	71 1/2	73 1/4	73 1/4	
	'C'	N/A	N/A	N/A	N/A	N/A	24 1/2	24 1/2	26	26	28	28	30	30	
	'D'						98 7/8	98 7/8	100 9/16	100 9/16	100 5/16	100 5/16	102 1/16	102 1/16	



ISOMETRIC VIEW



a nudyne company

**NOTES:**  
 1/ DIMENSIONS IN INCHES, AND SUBJECT TO CHANGE WITHOUT NOTICE.  
 2/ DIM 'B', 'C', 'D' ARE TO BE APPROXIMATED ONLY, CONSULT FACTORY FOR TIGHT DIMENSIONS.



**Ace Heaters, LLC**  
 www.aceheaters.com

ASME SECTION VIII DIV 1: DESIGN PRESSURE - (150) psig TEST PRESSURE - (195) psig MAX DESIGN TEMPERATURE - 370 °F	NAME	DATE
DRAWN	K. JIMENEZ	04/12/2023
CHKD		
APPD		
MFG		
QA		

MATERIAL:	TITLE:	SIHSW-COVER
FINISH:	MINIPACK SYSTEM-HORIZONTAL-SW	
WEIGHT:	WATER 3W-SIEMENS ELECT. OPERATED VALVE PACKAGE - SINGLE UNIT ON DUAL RACK	
UNLESS OTHERWISE SPECIFIED DIMENSIONS ARE IN INCHES TOLERANCE	DWG NO.	SIHSWWE-1-DR-3W-SIE-DIM
DECIMALS .XX ± .05 XXX ± .010	ANGULAR ± 3 MAX SURF	REV. 02
SCALE: N/A	S/O #	SHEET: 2 OF 2