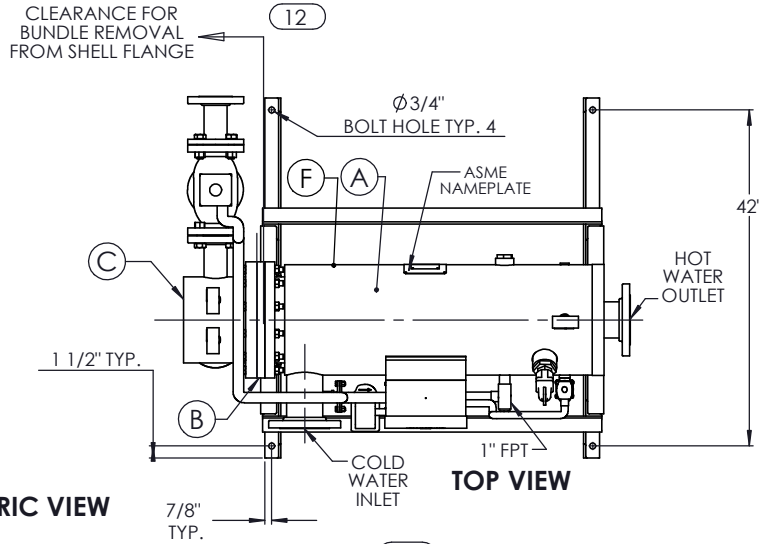
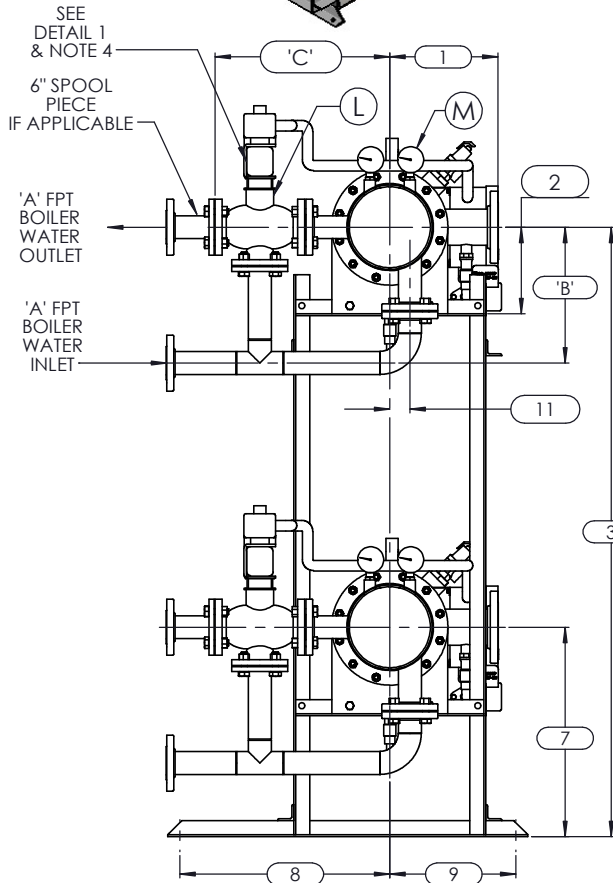


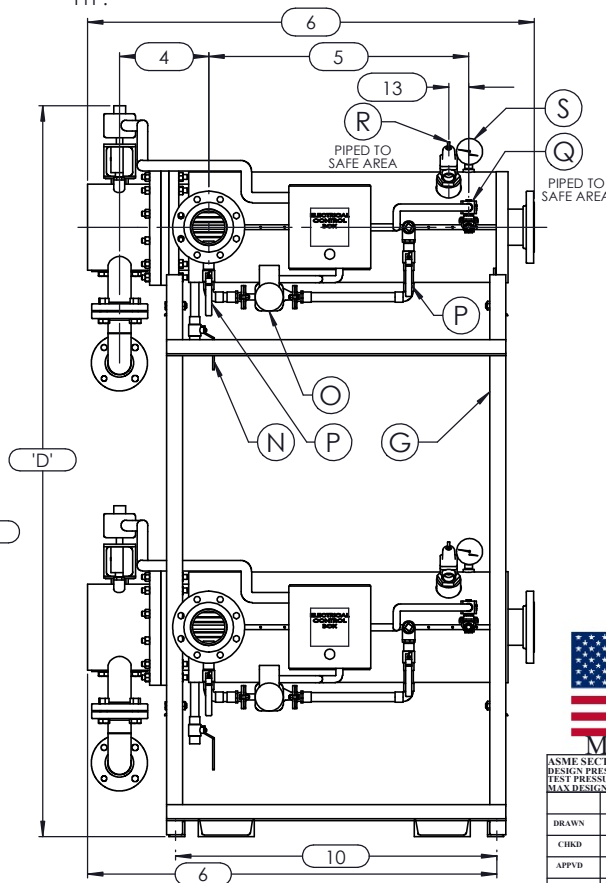
ISOMETRIC VIEW



TOP VIEW



LEFT VIEW

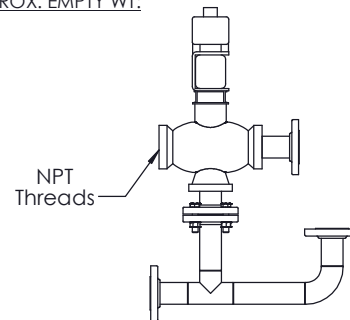


FRONT VIEW

NOTES:

1. REFER TO PRODUCT SPECIFICATION FOR DESCRIPTION OF LETTERED ITEMS.
2. **INSTALLATION:**
ALL COMPONENTS SHOWN HERE ARE PREWIRED & PREPIPED BY ACE HEATERS, LLC. CUSTOMER WILL ONLY NEED TO PLUMB WATER TO BE HEATED, PIPE STEAM AND CONDENSATE LINES, AND BRING ELECTRICITY TO UNIT.
3. DIMENSIONS ARE SUBJECT TO CHANGE. CONSULT FACTORY FOR TIGHT DIMENSIONS.
4. THIS CONFIGURATION CHANGES FOR VALVE SIZE 1/2" TO 2". SEE DETAIL 1 FOR REFERENCE.

APPROX. EMPTY WT:



DETAIL 1



a nudyne company

	CERTIFIED BY	Ace Heaters, LLC	
		www.aceheatingllc.com	
	MAXIMUM ALLOWABLE WORKING PRESSURE	SHELL	150 PSI @ 210 °F
	TUBES	150 PSI @ 370 °F	
	MIN. D.M.T.	0 °F @ 150 PSI	
	S/N	YEAR BUILT	
	MODEL		
	CAPACITY	GAL SA.	sqFT
	JOB NO.	XXX	



ASME SECTION VIII DIV 1:
DESIGN PRESSURE - (150) psig
TEST PRESSURE - (195) psig
MAX DESIGN TEMPERATURE - 370 °F

DRAWN	K. JIMENEZ	DATE	04/12/2023
CHKD			
APPVD			
MFG			
QA			

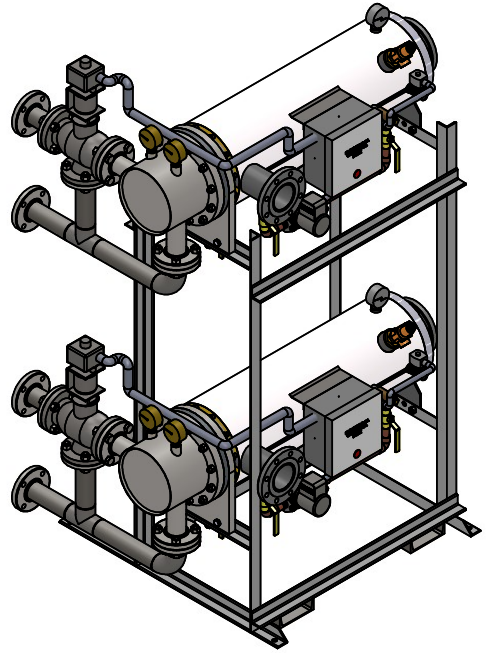
Ace Heaters, LLC www.aceheaters.com			
MATERIAL:		TITLE:	SIHSW-COVER
FINISH:			MINIPACK SYSTEM-HORIZONTAL-SW
WEIGHT:			WATER 3W-SIEMENS ELECT. OPERATED VALVE PACKAGE - DUAL UNIT ON DUAL RACK
UNLESS OTHERWISE SPECIFIED DIMENSIONS ARE IN INCHES		DWG NO.	SIHSWWE-2-DR-3W-SIE
TOLERANCE		REV.	02
DECIMALS	ANGULAR	SCALE:	N/A
.XX ± .05	± 3'	S/O#	
.XXX ± .010	MAX SURF	SHEET	1 OF 2

THE INFORMATION CONTAINED WITHIN THIS DRAWING IS PROPRIETARY AND THE SOLE PROPERTY OF ACE HEATERS, LLC. ANY REPRODUCTION IN PART OR AS A WHOLE WITHOUT THE WRITTEN PERMISSION OF ACE HEATERS, LLC IS PROHIBITED.

SIHSWWE-2-DR-3W-SIE, SW - WATER - SIEMENS ELECTRIC 3-WAY MIXING VALVE PACKAGE SIZE AND LOCATION: DUAL UNIT ON RACK

MP SIZE	4	5	6	8	8L	10	10L	12	12L	14	14L	16	16L	
ITEMS	1	9 1/2	11 1/2	12	11 9/16	11 9/16	13 7/16	13 7/16	14 7/16	14 7/16	15 3/4	15 3/4	17 5/8	17 5/8
	2	6 5/16	7 11/16	8 3/16	10 1/8	10 1/8	10 13/16	10 13/16	12 1/2	12 1/2	12 1/4	12 1/4	14	14
	3	58 9/16	59 15/16	60 7/16	62 3/8	62 3/8	76 1/16	76 1/16	77 3/4	77 3/4	77 1/2	77 1/2	79 1/4	79 1/4
	4	9 5/8	9 5/8	10 1/8	10 7/8	10 7/8	12 1/2	11 13/16	15 3/4	15 3/4	16 1/8	16 3/8	17 7/8	17 7/8
	5	36	30	36 3/4	31 3/4	37 3/4	32 1/2	38 1/2	33 1/4	45 1/4	40 1/2	55 3/4	50 1/2	65 3/4
	6	56	49	57 3/8	53 7/8	59 7/8	55 1/2	61 1/2	57 15/16	69 15/16	69 7/8	85 1/8	83 5/8	97 5/8
	7	21 9/16	22 15/16	23 7/16	25 3/8	25 3/8	26 3/16	26 3/16	27 7/8	27 7/8	27 5/8	27 5/8	29 3/8	29 3/8
	8	26 1/2	26 1/2	26 1/2	26 1/2	26 1/2	26 1/2	26 1/2	26 1/2	26 1/2	26 1/2	26 1/2	26 1/2	26 1/2
	9	15 1/2	15 1/2	15 1/2	15 1/2	15 1/2	15 1/2	15 1/2	15 1/2	15 1/2	15 1/2	15 1/2	15 1/2	15 1/2
	10	42 3/4	35 3/4	44 1/8	39 1/8	44 7/8	39 3/4	45 3/4	42	54 1/4	49 3/4	65	62 1/4	76 1/4
	11	1	1 3/8	1 1/2	2 1/16	2 1/16	2 1/2	2 1/2	3 1/16	3 1/16	3 1/8	3 1/8	3 1/4	3 1/4
	12	37	31	38	33	39	34	40	35	47	42	57	53	67
	13	2 1/2	2 1/2	2 1/2	2 1/2	2 1/2	2 1/2	2 1/2	2 1/2	2 1/2	2 1/2	2 1/2	2 1/2	2 1/2
INLET PIPE SIZE	2 THR.	2 1/2	2 1/2	3 FLG.	3 FLG.	4 FLG.	4 FLG.	4 FLG.	4 FLG.	5 FLG.	5 FLG.	6 FLG.	6 FLG.	6 FLG.
OUTLET PIPE SIZE	2 THR.	2 1/2	2 1/2	3 FLG.	3 FLG.	4 FLG.	4 FLG.	4 FLG.	4 FLG.	5 FLG.	5 FLG.	6 FLG.	6 FLG.	6 FLG.

VALVE SIZE 'A'	ITEM	VALVE SIZE AND OVERALL LOCATION													
1/2"	'B'	56 4/7	58	58 4/9	60 3/8	60 3/8	74	74	75 3/4	75 3/4	75 1/2	75 1/2	77 1/4	77 1/4	
	'C'	11 9/16	12 1/16	12 5/16	13 5/16	13 5/16	15 13/16	15 13/16	17 5/16	17 5/16	19 5/16	19 5/16	21 5/16	21 5/16	
	'D'	68	69 3/8	69 7/8	71 13/16	71 13/16	85 1/2	85 1/2	87 3/16	87 3/16	86 15/16	86 15/16	88 11/16	88 11/16	
	'B'	56 1/3	57 2/3	58 1/5	60 1/8	60 1/8	73 4/5	73 4/5	75 1/2	75 1/2	75 1/4	75 1/4	77	77	
3/4"	'C'	12 3/16	12 11/16	12 15/16	13 15/16	13 15/16	16 7/16	16 7/16	17 15/16	17 15/16	19 15/16	19 15/16	21 15/16	21 15/16	
	'D'	68 13/16	70 3/16	70 11/16	72 5/8	72 5/8	86 5/16	86 5/16	88	88	87 3/4	87 3/4	89 1/2	89 1/2	
	'B'	56 5/16	57 11/16	58 3/16	60 1/8	60 1/8	73 13/16	73 13/16	75 1/2	75 1/2	75 1/4	75 1/4	77	77	
	'C'	12 3/4	13 1/4	13 1/2	14 1/2	14 1/2	17	17	18 1/2	18 1/2	20 1/2	20 1/2	22 1/2	22 1/2	
1"	'D'	69 3/16	70 9/16	71 1/16	73	73	86 11/16	86 11/16	88 3/8	88 3/8	88 1/8	88 1/8	89 7/8	89 7/8	
	'B'	56	57 4/9	58	59 7/8	59 7/8	73 4/7	73 4/7	75 1/4	75 1/4	75	75	76 3/4	76 3/4	
	'C'	13 3/8	13 7/8	14 1/8	15 1/8	15 1/8	17 5/8	17 5/8	19 1/8	19 1/8	21 1/8	21 1/8	23 1/8	23 1/8	
	'D'	69 13/16	71 3/16	71 11/16	73 5/8	73 5/8	87 5/16	87 5/16	89	89	88 3/4	88 3/4	90 1/2	90 1/2	
1 1/4"	'B'	55 9/16	56 15/16	57 7/16	59 3/8	59 3/8	73 1/16	73 1/16	74 3/4	74 3/4	74 1/2	74 1/2	76 1/4	76 1/4	
	'C'	13 15/16	14 7/16	14 11/16	15 11/16	15 11/16	18 3/16	18 3/16	19 11/16	19 11/16	21 11/16	21 11/16	23 11/16	23 11/16	
	'D'	71 3/16	72 9/16	73 1/16	75	75	88 11/16	88 11/16	90 3/8	90 3/8	90 1/8	90 1/8	91 7/8	91 7/8	
	'B'	54 9/16	55 15/16	56 7/16	58 3/8	58 3/8	72 1/16	72 1/16	73 3/4	73 3/4	73 1/2	73 1/2	75 1/4	75 1/4	
2"	'C'	15 1/8	15 5/8	15 7/8	16 7/8	16 7/8	19 3/8	19 3/8	20 7/8	20 7/8	22 7/8	22 7/8	24 7/8	24 7/8	
	'D'	71 15/16	73 5/16	73 13/16	75 3/4	75 3/4	89 7/16	89 7/16	91 1/8	91 1/8	90 7/8	90 7/8	92 5/8	92 5/8	
	'B'	55 15/16	56 7/16	58 3/8	58 3/8	58 3/8	72 1/16	72 1/16	73 3/4	73 3/4	73 1/2	73 1/2	75 1/4	75 1/4	
	'C'	18 3/16	18 7/16	19 7/16	19 7/16	21 15/16	21 15/16	23 7/16	23 7/16	25 7/16	25 7/16	25 7/16	27 7/16	27 7/16	
2 1/2"	'D'	75 1/8	75 5/8	77 9/16	77 9/16	91 1/4	91 1/4	92 15/16	92 15/16	92 11/16	92 11/16	94 7/16	94 7/16		
	'B'	N/A	56 3/16	58 1/8	58 1/8	71 13/16	71 13/16	73 1/2	73 1/2	73 1/4	73 1/4	75	75		
	'C'	N/A	N/A	19 1/4	20 1/4	22 3/4	22 3/4	24 1/4	24 1/4	26 1/4	26 1/4	28 1/4	28 1/4		
	'D'	N/A	N/A	80 11/16	82 5/8	82 5/8	96 5/16	96 5/16	98	98	97 3/4	97 3/4	99 1/2	99 1/2	
3"	'B'	N/A	N/A	57 3/8	57 3/8	71 1/16	71 1/16	72 3/4	72 3/4	72 1/2	72 1/2	74 1/4	74 1/4		
	'C'	N/A	N/A	21 3/4	21 3/4	24 1/4	24 1/4	25 3/4	25 3/4	27 3/4	27 3/4	29 3/4	29 3/4		
	'D'	N/A	N/A	85 3/16	85 3/16	98 7/8	98 7/8	100 9/16	100 9/16	100 5/16	100 5/16	102 1/16	102 1/16		
	'B'	N/A	N/A	70	70	71 3/4	71 3/4	71 1/2	71 1/2	71 1/2	71 1/2	73 1/4	73 1/4		
4"	'C'	N/A	N/A	24 1/2	24 1/2	26	26	28	28	28	28	30	30		
	'D'	N/A	N/A	98 7/8	98 7/8	100 9/16	100 9/16	100 9/16	100 9/16	100 5/16	100 5/16	102 1/16	102 1/16		
	'B'	N/A	N/A	70	70	71 3/4	71 3/4	71 1/2	71 1/2	71 1/2	71 1/2	73 1/4	73 1/4		
	'C'	N/A	N/A	24 1/2	24 1/2	26	26	28	28	28	28	30	30		
5"	'D'	N/A	N/A	98 7/8	98 7/8	100 9/16	100 9/16	100 9/16	100 9/16	100 5/16	100 5/16	102 1/16	102 1/16		
	'B'	N/A	N/A	70	70	71 3/4	71 3/4	71 1/2	71 1/2	71 1/2	71 1/2	73 1/4	73 1/4		
	'C'	N/A	N/A	24 1/2	24 1/2	26	26	28	28	28	28	30	30		
	'D'	N/A	N/A	98 7/8	98 7/8	100 9/16	100 9/16	100 9/16	100 9/16	100 5/16	100 5/16	102 1/16	102 1/16		



ISOMETRIC VIEW




NOTES:

- 1/ DIMENSIONS IN INCHES, AND SUBJECT TO CHANGE WITHOUT NOTICE.
- 2/ DIM 'B', 'C', 'D' ARE TO BE APPROXIMATED ONLY, CONSULT FACTORY FOR TIGHT DIMENSIONS.



ASME SECTION VIII DIV 1: DESIGN PRESSURE - (150) psig TEST PRESSURE - (195) psig MAX DESIGN TEMPERATURE - 370 °F	
DRAWN	K. JIMENEZ
CHKD	
APPVD	
MFG	
QA	
NAME	DATE
	04/12/2023

 Ace Heaters, LLC www.aceheaters.com	
MATERIAL:	TITLE: SIHSW-COVER
FINISH:	MINIPACK SYSTEM-HORIZONTAL-SW
WEIGHT:	WATER 3W-SIEMENS ELECT. OPERATED VALVE PACKAGE - DUAL UNIT ON DUAL RACK
UNLESS OTHERWISE SPECIFIED DIMENSIONS ARE IN INCHES TOLERANCE	DWG NO. SIHSWWE-2-DR-3W-SIE-DIM
DECIMALS ANGULAR XX ± .05 XXX ± .010 MAX SURF	REV. 02
SCALE: N/A	S/O#
SHEET 2 OF 2	