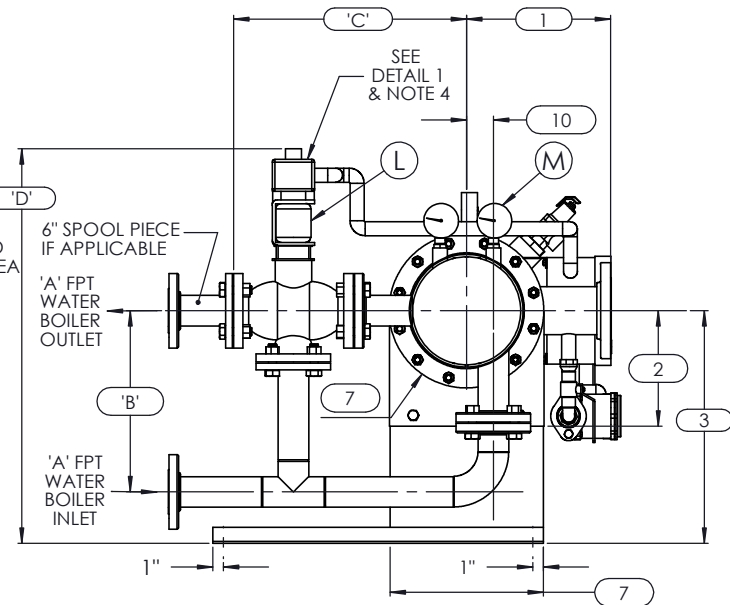


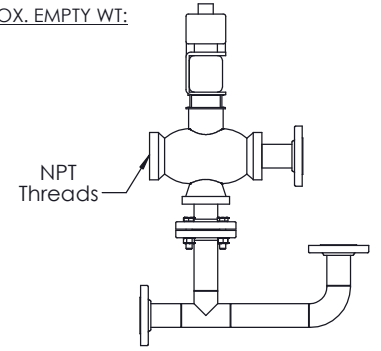
**FRONT VIEW**



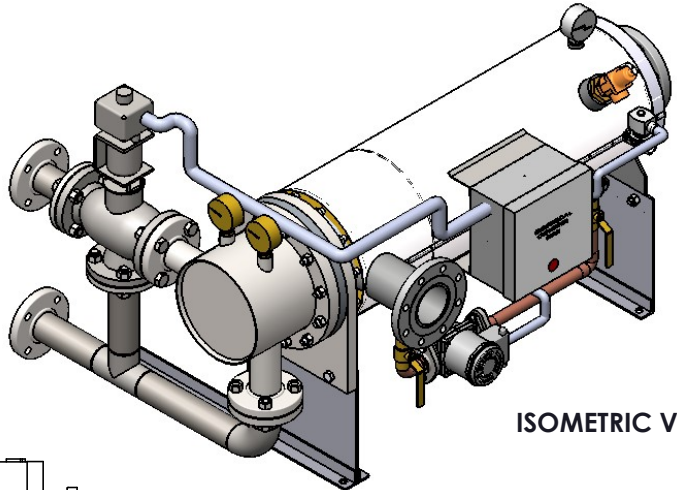
**LEFT VIEW**

- NOTES:**
- REFER TO PRODUCT SPECIFICATION FOR DESCRIPTION OF LETTERED ITEMS.
  - INSTALLATION:** ALL COMPONENTS SHOWN HERE ARE PREWIRED & PREPIPED BY ACE HEATERS, LLC. CUSTOMER WILL ONLY NEED TO PLUMB WATER TO BE HEATED, PIPE STEAM AND CONDENSATE LINES, AND BRING ELECTRICITY TO UNIT.
  - DIMENSIONS ARE SUBJECT TO CHANGE. CONSULT FACTORY FOR TIGHT DIMENSIONS.
  - THIS CONFIGURATION CHANGES FOR VALVE SIZE 1/2" TO 2". SEE DETAIL 1 FOR REFERENCE.

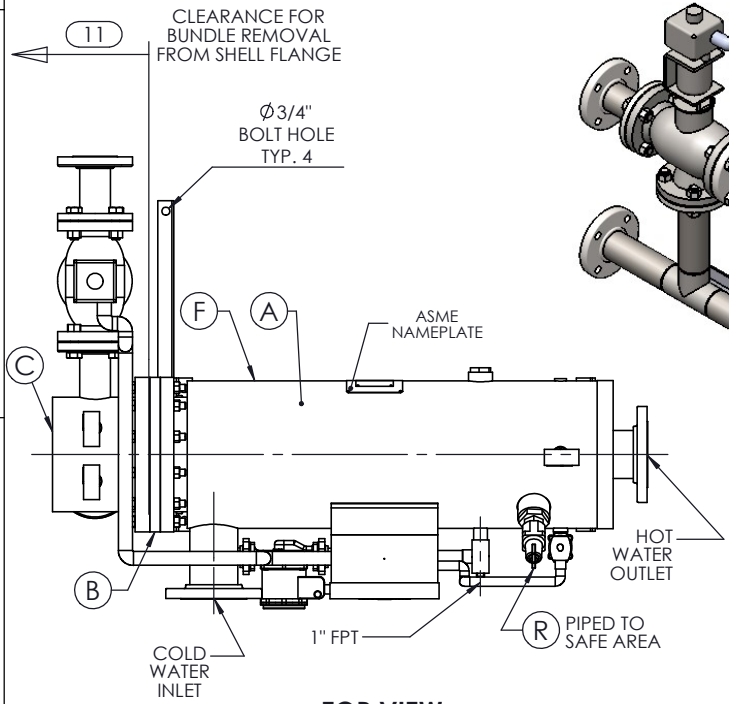
APPROX. EMPTY WT:



**DETAIL 1**



**ISOMETRIC VIEW**



**TOP VIEW**

	CERTIFIED BY <b>Ace Heaters, LLC</b> www.aceheatingllc.com	
	MAXIMUM ALLOWABLE WORKING PRESSURE SHELL 150 PSI @ 210 °F TUBES 150 PSI @ 370 °F	
	MIN. D.M.T. 0 °F @ 150 PSI S/N _____ YEAR BUILT _____	
	MODEL _____ CAPACITY _____ GAL SA. SQFT JOB NO. _____ XXX	



**Ace Heaters, LLC**  
www.aceheaters.com

MATERIAL:	TITLE: SIHSW-COVER
FINISH:	MINIPACK SYSTEM-HORIZONTAL-SW
WEIGHT:	WATER 3W-SIEMENS ELECT. OPERATED VALVE PACKAGE
UNLESS OTHERWISE SPECIFIED DIMENSIONS ARE IN INCHES TOLERANCE	DWG NO. SIHSWWE-3W-SIE
DECIMALS .XX ± .05 ANGULAR ± 3° MAX SURF ± .010	REV. 02
SCALE: N/A	SHEET: 1 OF 2

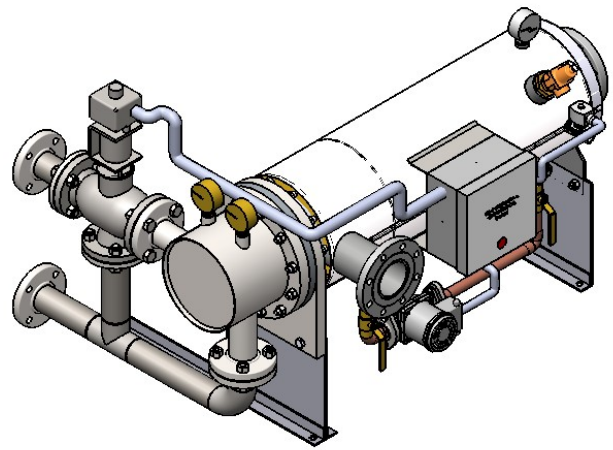
ASME SECTION VIII DIV 1: DESIGN PRESSURE - (150) psig TEST PRESSURE - (195) psig MAX DESIGN TEMPERATURE - 370 °F	
NAME	DATE
DRAWN K. JIMENEZ	04/12/2023
CHKD	
APPVD	
MFG	
QA	

THE INFORMATION CONTAINED WITHIN THIS DRAWING IS PROPRIETARY AND THE SOLE PROPERTY OF ACE HEATERS, LLC. ANY REPRODUCTION IN PART OR AS A WHOLE WITHOUT THE WRITTEN PERMISSION OF ACE HEATERS, LLC IS PROHIBITED.

SIHSWWE-3W-SIE, SW - WATER - SIEMENS ELECTRIC 3-WAY MIXING VALVE PACKAGE SIZE AND LOCATION

	MP SIZE	4	5	6	8	8L	10	10L	12	12L	14	14L	16	16L
DIMENSION	1	9 1/2	11 1/2	12	11 9/16	11 9/16	13 7/16	13 7/16	14 7/16	14 7/16	15 3/4	15 3/4	17 5/8	17 5/8
	2	6 5/16	7 11/16	8 3/16	10 1/8	10 1/8	10 13/16	10 13/16	12 1/2	12 1/2	12 1/4	12 1/4	14	14
	3	13 1/2	14 7/8	15 3/8	18 5/16	18 5/16	22	22	26 7/8	26 7/8	26 5/8	26 5/8	28 3/8	28 3/8
	4	9 5/8	9 5/8	10 1/8	10 7/8	10 7/8	12 1/2	11 13/16	15 3/4	15 3/4	16 1/8	16 3/8	17 7/8	17 7/8
	5	36	30	36 3/4	31 3/4	37 3/4	32 1/2	38 1/2	33 1/4	45 1/4	40 1/2	55 3/4	50 1/2	65 3/4
	6	56	49	57 3/8	53 7/8	59 7/8	55 1/2	61 1/2	57 15/16	69 15/16	69 7/8	85 1/8	83 5/8	97 5/8
	7	7 1/2	8 5/8	9 3/4	11 3/4	11 3/4	14 3/8	14 3/8	16 1/2	16 1/2	18 1/2	18 1/2	20	20
	8	40 3/8	33 1/4	41 5/8	36 3/4	42 3/4	37 3/8	43 3/8	38 3/8	50 3/8	46 1/8	61 3/8	58 5/8	72 5/8
	9	10 5/8	10 3/4	10 3/4	11 5/8	11 5/8	12 1/8	12 1/8	12 15/16	12 15/16	16 5/8	16 5/8	17 7/8	17 7/8
	10	1	1 3/8	1 1/2	2 1/16	2 1/16	2 1/2	2 1/2	3 1/16	3 1/16	3 1/8	3 1/8	3 1/4	3 1/4
	11	37	31	38	33	39	34	40	35	47	42	57	53	67
	12	2 1/2	2 1/2	2 1/2	2 1/2	2 1/2	2 1/2	2 1/2	2 1/2	2 1/2	2 1/2	2 1/2	2 1/2	2 1/2
INLET PIPE SIZE		2 THR.	2 1/2	2 1/2	3 FLG.	3 FLG.	4 FLG.	4 FLG.	4 FLG.	4 FLG.	5 FLG.	5 FLG.	6 FLG.	6 FLG.
OUTLET PIPE SIZE		2 THR.	2 1/2	2 1/2	3 FLG.	3 FLG.	4 FLG.	4 FLG.	4 FLG.	4 FLG.	5 FLG.	5 FLG.	6 FLG.	6 FLG.

VALVE SIZE 'A'	ITEM	VALVE SIZE AND OVERALL LOCATION													
1/2"	'B'	11 1/2	12 7/8	13 3/8	16 1/3	16 1/3	20	20	24 7/8	24 7/8	24 5/8	24 5/8	26 3/8	26 3/8	
	'C'	11 9/16	12 1/16	12 5/16	13 5/16	13 5/16	15 13/16	15 13/16	17 5/16	17 5/16	19 5/16	19 5/16	21 5/16	21 5/16	
	'D'	22 15/16	24 5/16	24 13/16	27 3/4	27 3/4	31 7/16	31 7/16	36 5/16	36 5/16	36 1/16	36 1/16	37 13/16	37 13/16	
	'B'	11 1/4	12 5/8	13 1/8	16	16	19 3/4	19 3/4	24 5/8	24 5/8	24 3/8	24 3/8	26 1/8	26 1/8	
3/4"	'C'	12 3/16	12 11/16	12 15/16	13 15/16	13 15/16	16 7/16	16 7/16	17 15/16	17 15/16	19 15/16	19 15/16	21 15/16	21 15/16	
	'D'	23 3/4	25 1/8	25 5/8	28 9/16	28 9/16	32 1/4	32 1/4	37 1/8	37 1/8	36 7/8	36 7/8	38 5/8	38 5/8	
	'B'	11 1/4	12 5/8	13 1/8	16 1/16	16 1/16	19 3/4	19 3/4	24 5/8	24 5/8	24 3/8	24 3/8	26 1/8	26 1/8	
	'C'	12 3/4	13 1/4	13 1/2	14 1/2	14 1/2	17	17	18 1/2	18 1/2	20 1/2	20 1/2	22 1/2	22 1/2	
1"	'D'	24 1/8	25 1/2	26	28 15/16	28 15/16	32 5/8	32 5/8	37 1/2	37 1/2	37 1/4	37 1/4	39	39	
	'B'	11	12 3/8	12 7/8	15 4/5	15 4/5	19 1/2	19 1/2	24 3/8	24 3/8	24 1/8	24 1/8	25 7/8	25 7/8	
	'C'	13 3/8	13 7/8	14 1/8	15 1/8	15 1/8	17 5/8	17 5/8	19 1/8	19 1/8	21 1/8	21 1/8	23 1/8	23 1/8	
	'D'	24 3/4	26 1/8	26 5/8	29 9/16	29 9/16	33 1/4	33 1/4	38 1/8	38 1/8	37 7/8	37 7/8	39 5/8	39 5/8	
1 1/4"	'B'	10 1/2	11 7/8	12 3/8	15 5/16	15 5/16	19	19	23 7/8	23 7/8	23 5/8	23 5/8	25 3/8	25 3/8	
	'C'	13 15/16	14 7/16	14 11/16	15 11/16	15 11/16	18 3/16	18 3/16	19 11/16	19 11/16	21 11/16	21 11/16	23 11/16	23 11/16	
	'D'	26 1/8	27 1/2	28	30 15/16	30 15/16	34 5/8	34 5/8	39 1/2	39 1/2	39 1/4	39 1/4	41	41	
	'B'	9 1/2	10 7/8	11 3/8	14 5/16	14 5/16	18	18	22 7/8	22 7/8	22 5/8	22 5/8	24 3/8	24 3/8	
2"	'C'	15 1/8	15 5/8	15 7/8	16 7/8	16 7/8	19 3/8	19 3/8	20 7/8	20 7/8	22 7/8	22 7/8	24 7/8	24 7/8	
	'D'	26 7/8	28 1/4	28 3/4	31 11/16	31 11/16	35 3/8	35 3/8	40 1/4	40 1/4	40	40	41 3/4	41 3/4	
	'B'	10 7/8	11 3/8	14 5/16	14 5/16	18	18	22 7/8	22 7/8	22 5/8	22 5/8	24 3/8	24 3/8		
	'C'	N/A	18 3/16	18 7/16	19 7/16	19 7/16	21 15/16	21 15/16	23 7/16	23 7/16	25 7/16	25 7/16	27 7/16	27 7/16	
2 1/2"	'D'	30 1/16	30 9/16	33 1/2	33 1/2	37 3/16	37 3/16	42 1/16	42 1/16	41 13/16	41 13/16	43 9/16	43 9/16		
	'B'	11 1/8	14 1/16	14 1/16	17 3/4	17 3/4	22 5/8	22 5/8	22 5/8	22 5/8	22 3/8	24 1/8	24 1/8		
	'C'	N/A	N/A	19 1/4	20 1/4	20 1/4	22 3/4	22 3/4	24 1/4	24 1/4	26 1/4	26 1/4	28 1/4		
	'D'	35 5/8	38 9/16	38 9/16	42 1/4	42 1/4	47 1/8	47 1/8	46 7/8	46 7/8	48 5/8	48 5/8			
3"	'B'	N/A	N/A	13 5/16	13 5/16	17	17	21 7/8	21 7/8	21 5/8	21 5/8	23 3/8	23 3/8		
	'C'	N/A	N/A	21 3/4	21 3/4	24 1/4	24 1/4	25 3/4	25 3/4	27 3/4	27 3/4	29 3/4	29 3/4		
	'D'	N/A	N/A	41 1/8	41 1/8	44 13/16	44 13/16	49 11/16	49 11/16	49 7/16	49 7/16	51 3/16	51 3/16		
	'B'	N/A	N/A	N/A	N/A	16	16	20 7/8	20 7/8	20 5/8	20 5/8	22 3/8	22 3/8		
4"	'C'	N/A	N/A	N/A	N/A	24 1/2	24 1/2	26	26	28	28	30	30		
	'D'	N/A	N/A	N/A	N/A	44 13/16	44 13/16	49 11/16	49 11/16	49 7/16	49 7/16	51 3/16	51 3/16		
	'B'	N/A	N/A	N/A	N/A	N/A	N/A	N/A	N/A	N/A	N/A	N/A	N/A		
	'D'	N/A	N/A	N/A	N/A	N/A	N/A	N/A	N/A	N/A	N/A	N/A	N/A		



ISOMETRIC VIEW




a nudyne company

NOTES:

- 1/ DIMENSIONS IN INCHES, AND SUBJECT TO CHANGE WITHOUT NOTICE.
- 2/ DIM 'B', 'C', 'D' ARE TO BE APPROXIMATED ONLY, CONSULT FACTORY FOR TIGHT DIMENSIONS.



ASME SECTION VIII DIV 1: DESIGN PRESSURE - (150) psig TEST PRESSURE - (195) psig MAX DESIGN TEMPERATURE - 370 °F	
DRAWN	K. JIMENEZ
CHKD	
APPD	
MFG	
QA	

 www.aceheaters.com	
MATERIAL:	TITLE: SIHSW-COVER
FINISH:	MINIPACK SYSTEM-HORIZONTAL-SW
WEIGHT:	WATER 3W-SIEMENS ELECT. OPERATED VALVE PACKAGE
UNLESS OTHERWISE SPECIFIED DIMENSIONS ARE IN INCHES TOLERANCE	DWG NO. SIHSWWE-3W-SIE-DIM
DECIMALS .XX ± .05 XXX ± .010	ANGULAR ± 3 MAX SURF
SCALE: N/A	S/O#
	SHEET: 2 OF 2