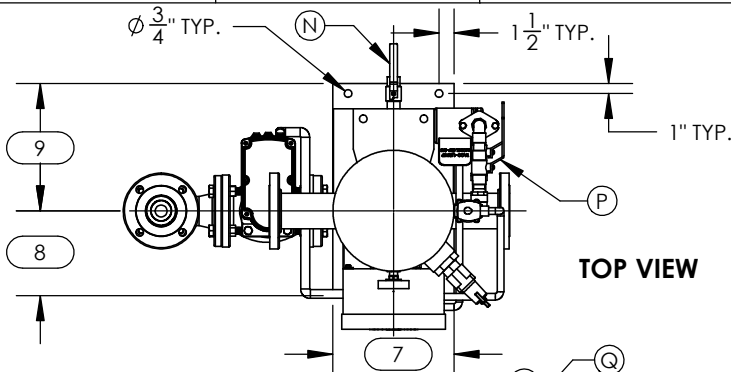
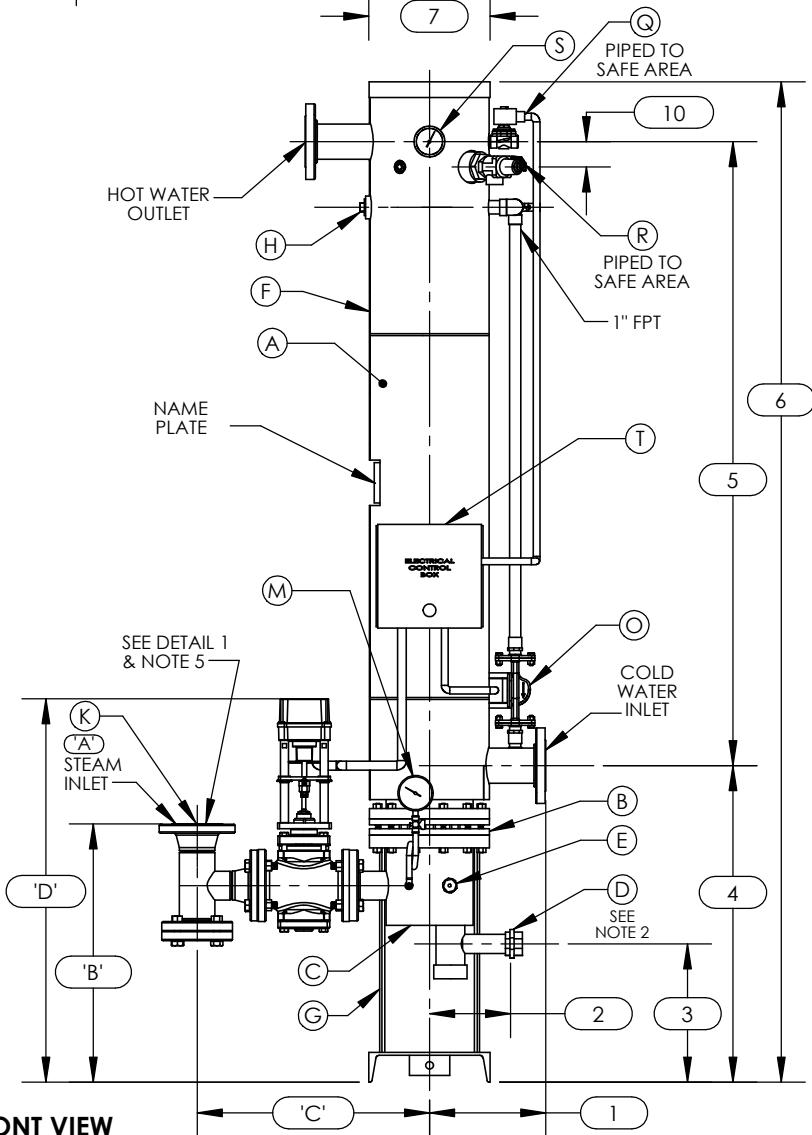


ISOMETRIC VIEW



TOP VIEW

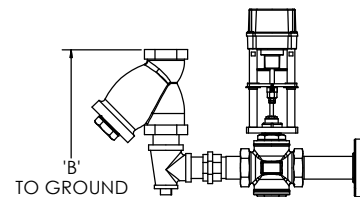


FRONT VIEW

NOTES:

1. REFER TO PRODUCT SPECIFICATION FOR DESCRIPTION OF LETTERED ITEMS.
2. **CONDENSATE:**
CONDENSATE IS TO BE PIPED FROM HEATER WITHOUT LIFTS TO A VENTED RECEIVER OR DRAIN BELOW THE ELEVATION OF THE HEATER'S CONDENSATE OUTLET.
3. **INSTALLATION:**
ALL COMPONENTS SHOWN HERE ARE PREWIRED & PREPIPED BY ACE HEATERS, LLC. CUSTOMER WILL ONLY NEED TO PLUMB WATER TO BE HEATED, PIPE STEAM AND CONDENSATE LINES, AND BRING ELECTRICITY TO UNIT.
4. DIMENSIONS ARE SUBJECT TO CHANGE. CONSULT FACTORY FOR TIGHT DIMENSIONS.
5. THIS CONFIGURATION CHANGES FOR VALVE SIZE 1/2" TO 2". SEE DETAIL 1 FOR REFERENCE.

APPROX. EMPTY WT:



DETAIL 1



	CERTIFIED BY	
	Ace Heaters, LLC	
	www.aceheaters.com	
	MAXIMUM ALLOWABLE WORKING PRESSURE	
	SHELL 150 PSI @ 210 °F	TUBES 150 PSI @ 370 °F
MIN. D.M.T. 0 °F @ 150 PSI		
S/N _____ YEAR BUILT _____		
MODEL _____		
CAPACITY _____ GAL SA _____ SQFT		
JOB NO. _____ XXX		



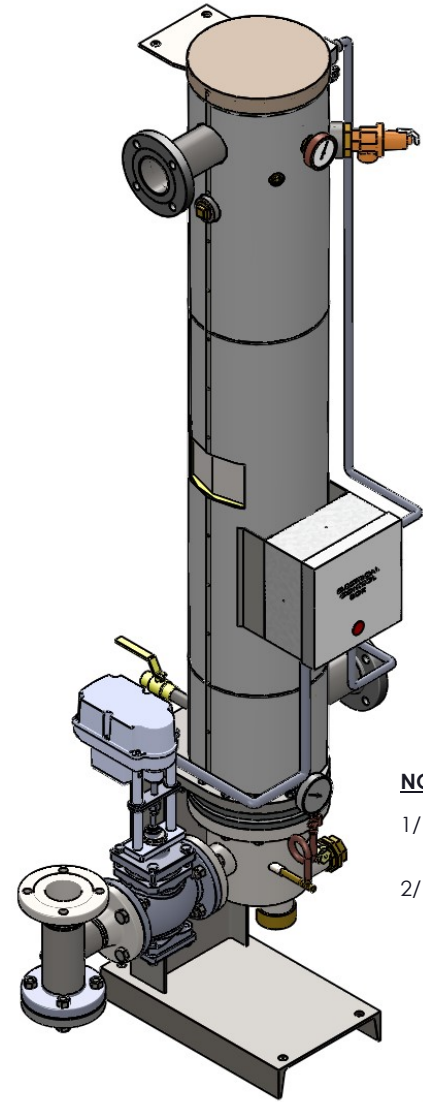
Ace Heaters, LLC

DESIGNER	K. JIMENEZ	DATE	04/12/2023
APP'D			
REV			
SCALE	NA	SHEET	1 OF 2

MATERIAL:	TITLE: SIVDW - COVER
FINISH:	MINIPACK SYSTEM-VERTICAL DW
WEIGHT:	STEAM ELECTRIC OPERATED
UNLESS OTHERWISE SPECIFIED DIMENSIONS ARE IN INCHES TOLERANCE	VALVE PACKAGE
DECIMALS .XX ± .010	DWG NO. SIVDWSE
ANGULAR ± 3°	REV. 02
MAX SURF ± .010	SCALE: NA
	SHEET: 1 OF 2

SIVDWSE, STEAM ELECTRIC OPERATED VALVE PACKAGE SIZE AND LOCATION

MP SIZE		5	6	8	10	12	14	16
ITEMS	1	10	10 1/2	11 1/2	13 1/2	14 1/2	15 1/2	16 1/2
D	2	5 3/8	5 3/4	8	8	9 11/16	10 15/16	12 3/16
I	3	12 1/8	14 1/4	13 11/16	16 1/8	12 1/2	13 1/4	12 1/2
M	4	27 9/16	30 9/16	31 5/16	35 5/8	39 3/8	41 5/8	43 7/8
E	5	61 1/2	62	61 3/4	64	62 1/2	72	75 3/4
S	6	93 7/8	97 3/8	98 5/8	105 1/4	110	121	127
I	7	12	12	12	18	18	18	18
O	8	11 1/16	10 3/8	9 1/4	13 11/16	12	15 1/4	13 1/2
N	9	9 15/16	10 5/8	11 3/4	13 5/16	15	14 3/4	16 1/2
S	10	2 1/2	2 1/2	2 1/2	2 1/2	2 1/2	2 1/2	2 1/2
INLET PIPE SIZE		2 1/2 FLG.	2 1/2 FLG.	3 FLG.	4 FLG.	4 FLG.	5 FLG.	6 FLG.
OUTLET PIPE SIZE		2 1/2 FLG.	2 1/2 FLG.	3 FLG.	4 FLG.	4 FLG.	5 FLG.	6 FLG.
VALVE SIZE	ITEM	VALVE SIZE AND OVERALL LOCATION						
1/2"	'A'	3/4						
	'B'	22 1/8	24 1/2	24 5/8	27 7/16	27 11/16	29 13/16	30 11/16
	'C'	18 1/2	18 3/4	19 3/4	22 1/4	23 3/4	25 3/4	27 3/4
	'D'	32 11/16	35 1/16	35 3/16	38	38 1/4	40 3/8	41 1/4
3/4"	'A'	1						
	'B'	23 3/16	25 9/16	25 11/16	28 1/2	28 3/4	30 7/8	31 3/4
	'C'	19 3/16	19 7/16	20 7/16	22 15/16	24 7/16	26 7/16	28 7/16
	'D'	32 11/16	35 1/16	35 3/16	38	38 1/4	40 3/8	41 1/4
1"	'A'	1 1/2						
	'B'	23 5/8	26	26 1/8	28 15/16	29 3/16	31 5/16	32 3/16
	'C'	19 15/16	20 3/16	21 3/16	23 11/16	25 3/16	27 3/16	29 3/16
	'D'	32 11/16	35 1/16	35 3/16	38	38 1/4	40 3/8	41 1/4
1 1/4"	'A'	1 1/2						
	'B'	24 5/8	27	27 1/8	29 15/16	30 3/16	32 5/16	33 3/16
	'C'	21 7/16	21 11/16	22 11/16	25 3/16	26 11/16	28 11/16	30 11/16
	'D'	33 5/16	35 11/16	35 13/16	38 5/8	38 7/8	41	41 7/8
1 1/2"	'A'	2						
	'B'	26 3/16	28 9/16	28 11/16	31 1/2	31 3/4	33 7/8	34 3/4
	'C'	22 1/8	22 3/8	23 3/8	25 7/8	27 3/8	29 3/8	31 3/8
	'D'	33 5/16	35 11/16	35 13/16	38 5/8	38 7/8	41	41 7/8
2"	'A'	2 1/2						
	'B'	28 3/16	30 9/16	30 11/16	33 1/2	33 3/4	35 7/8	36 3/4
	'C'	24	24 1/4	25 1/4	27 3/4	29 1/4	31 1/4	33 1/4
	'D'	33 9/16	35 15/16	36 1/16	38 7/8	39 1/8	41 1/4	42 1/8
2 1/2"	'A'	3						
	'B'	23 1/16	25 7/16	25 9/16	28 3/8	28 5/8	30 3/4	31 5/8
	'C'	21 7/8	22 1/8	23 1/8	25 5/8	27 1/8	29 1/8	31 1/8
	'D'	35 15/16	38 5/16	38 7/16	41 1/4	41 1/2	43 5/8	44 1/2
3"	'A'	4						
	'B'	N/A	26 1/2	26 5/8	29 7/16	29 11/16	31 13/16	32 11/16
	'C'	N/A	23 7/8	24 7/8	27 3/8	28 7/8	30 7/8	32 7/8
	'D'	N/A	38 15/16	39 1/16	41 7/8	42 1/8	44 1/4	45 1/8
4"	'A'	6						
	'B'	N/A	N/A	28 9/16	31 3/8	31 5/8	33 3/4	34 5/8
	'C'	N/A	N/A	29 1/8	31 5/8	33 1/8	35 1/8	37 1/8
	'D'	N/A	N/A	40 3/16	43	43 1/4	45 3/8	46 1/4
5"	'A'	6						
	'B'	N/A	N/A	N/A	31 3/8	31 5/8	33 3/4	34 5/8
	'C'	N/A	N/A	N/A	35 1/8	36 5/8	38 5/8	40 5/8
	'D'	N/A	N/A	N/A	43 1/2	43 3/4	45 7/8	46 3/4



ISOMETRIC VIEW

NOTES:

- 1/ DIMENSIONS IN INCHES, AND SUBJECT TO CHANGE WITHOUT NOTICE.
- 2/ DIM 'B', 'C', 'D' ARE TO BE APPROXIMATED ONLY, CONSULT FACTORY FOR TIGHT DIMENSIONS.



a nudyne company

Ace Heaters, LLC

www.aceheaters.com



ASME SECTION VIII DIV 1		
DESIGN	NAME	DATE
DESIGNED	K. JIMENEZ	04/12/2023
APPROVED		
SCALE		
DATE		

MATERIAL:	TITLE: SIVDW - COVER	
FINISH:	MINIPACK SYSTEM-VERTICAL DW	
WEIGHT:	STEAM ELECTRIC OPERATED	
	VALVE PACKAGE	
UNLESS OTHERWISE SPECIFIED DIMENSIONS ARE IN INCHES TOLERANCE	DWG NO. SIVDWSE-DIM	REV. 02
DECIMALS .XX ± .01	ANGULAR ± .5	
SCALE: NA	SO#	SHEET: 2 OF 2

THE INFORMATION CONTAINED WITHIN THIS DRAWING IS PROPRIETARY AND THE SOLE PROPERTY OF ACE HEATERS, LLC. ANY REPRODUCTION IN PART OR AS A WHOLE WITHOUT THE WRITTEN PERMISSION OF ACE HEATERS, LLC IS PROHIBITED.