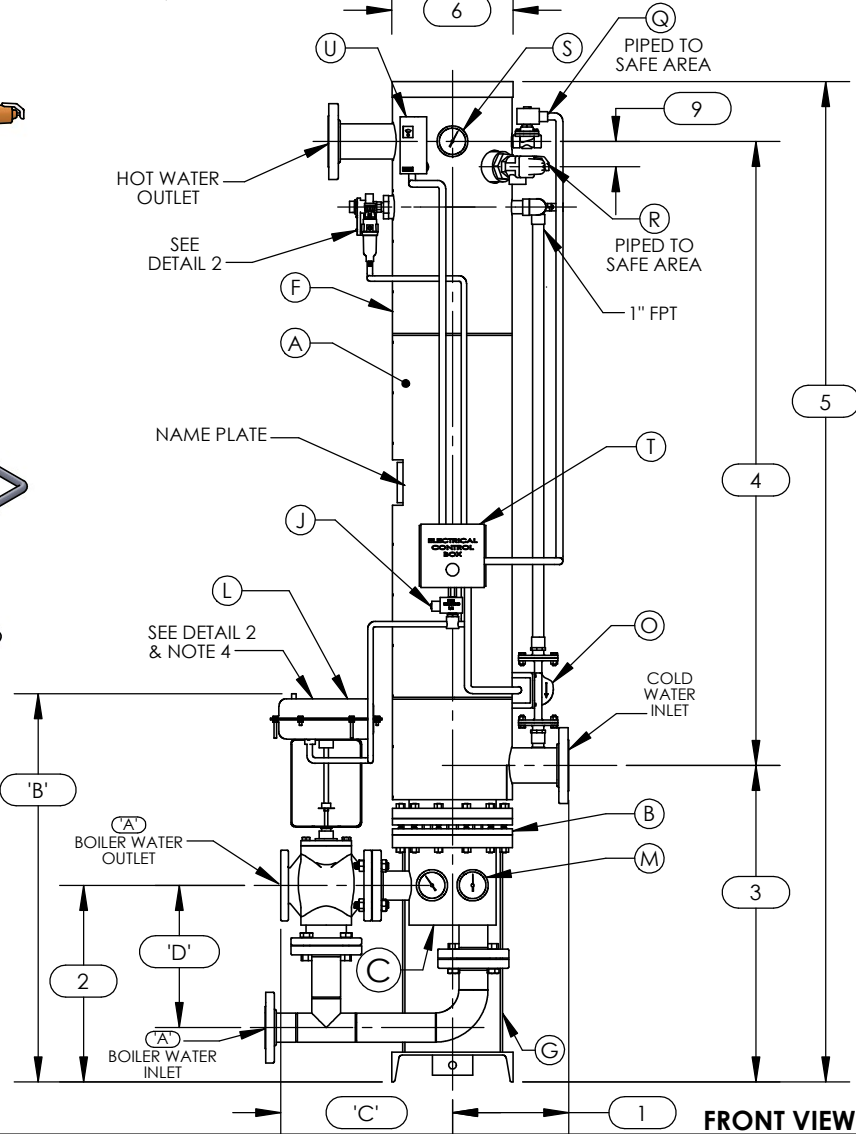
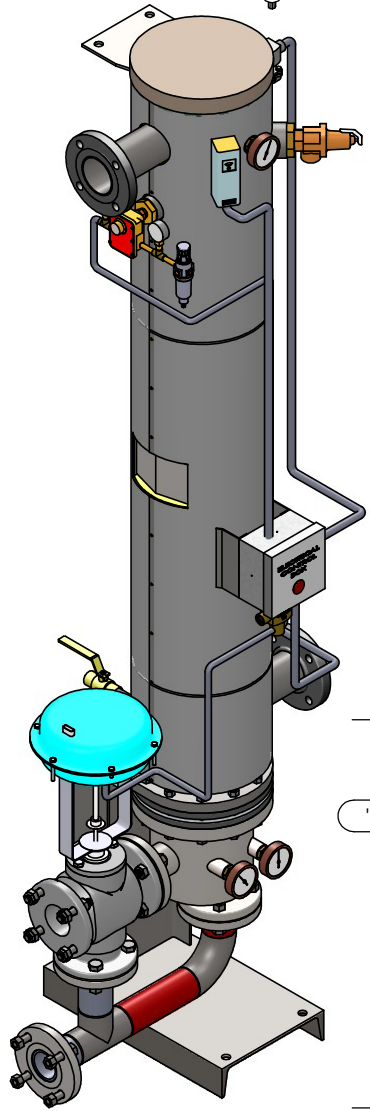
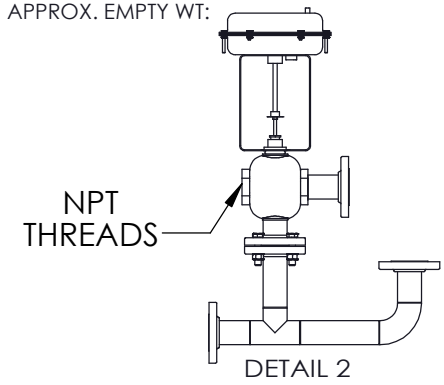


NOTES:

1. REFER TO PRODUCT SPECIFICATION FOR DESCRIPTION OF LETTERED ITEMS.
2. INSTALLATION:
ALL COMPONENTS SHOWN HERE ARE PREWIRED & PREPIPED BY ACE HEATERS, LLC. CUSTOMER WILL ONLY NEED TO PLUMB WATER TO BE HEATED, PLUMB BOILER WATER, HOOKUP AIR TO AIR FILTER-PRESSURE REGULATOR, AND BRING ELECTRICITY TO UNIT.
3. DIMENSIONS ARE SUBJECT TO CHANGE. CONSULT FACTORY FOR TIGHT DIMENSIONS.
4. THIS CONFIGURATION CHANGES FOR VALVE SIZE 1/2" TO 2". SEE DETAIL 2 FOR REFERENCE.
5. ADD 6" SPOILER TO CAP INLET IF APPL.

APPROX. EMPTY WT:



	CERTIFIED BY	
	Ace Heaters, LLC www.aceheaters.com	
	MAXIMUM ALLOWABLE WORKING PRESSURE SHELL 150 PSI @ 210 °F TUBES 150 PSI @ 370 °F MIN. D.M.T. 0 °F @ 150 PSI S/N _____ YEAR BUILT	
	MODEL _____ CAPACITY _____ GAL SA. SQFT JOB NO. _____ XXX	



Ace Heaters, LLC www.aceheaters.com	
MATERIAL:	TITLE: SIVDW - COVER MINIPACK SYSTEM-VERTICAL DW WATER 3W - PNEUMATIC OPERATED VALVE PACKAGE
FINISH:	DWG NO. SIVDWWA-3W REV. 02
WEIGHT:	SCALE: NA SO# SHEET: 1 OF 2
UNLESS OTHERWISE SPECIFIED DIMENSIONS ARE IN INCHES TOLERANCE DECIMALS .XX ± .010 ANGULAR ± .5 MAX SURF	

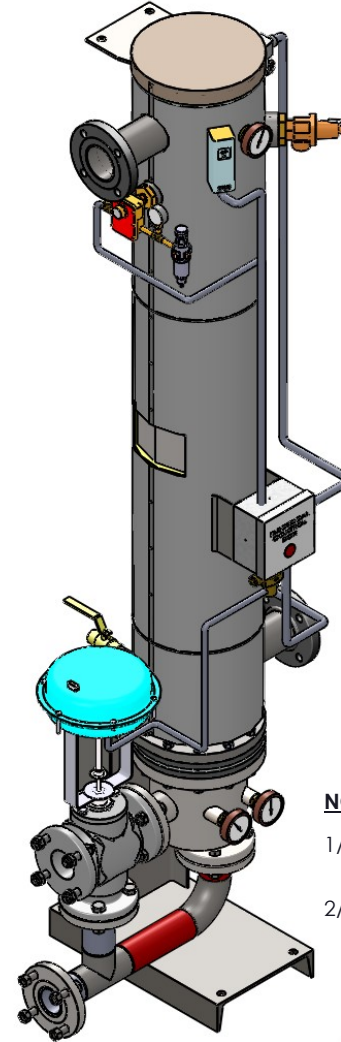
ASME SECTION VIII DIV 1 DESIGN PRESSURE: (150) psig TEST PRESSURE: (195) psig MAX DESIGN TEMPERATURE: 370 °F		
DATE	NAME	DATE
04/12/2023	K. JIMENEZ	
DRWNS		
CRWD		
APVD		
MRG		
QA		

THE INFORMATION CONTAINED WITHIN THIS DRAWING IS PROPRIETARY AND THE SOLE PROPERTY OF ACE HEATERS, LLC. ANY REPRODUCTION IN PART OR AS A WHOLE WITHOUT THE WRITTEN PERMISSION OF ACE HEATERS, LLC IS PROHIBITED.

SIVDWWA, 3W - WATER - PNEUMATIC OPERATED VALVE PACKAGE SIZE AND LOCATION

MP SIZE	5	6	8	10	12	14	16	
ITEMS	1	10	10 1/2	11 1/2	13 1/2	14 1/2	15 1/2	16 1/2
D	2	16 15/16	19 5/16	19 7/16	23 3/4	22 1/2	23 15/16	24 7/16
I	3	27 9/16	30 9/16	31 5/16	35 5/8	39 3/8	41 5/8	43 7/8
M	4	61 1/2	62	61 3/4	64	62 1/2	72	75 3/4
E	5	93 7/8	97 3/8	98 5/8	105 1/4	110	121	127
S	6	12	12	12	18	18	18	18
I	7	11 1/16	10 3/8	9 1/4	13 11/16	12	15 1/4	13 1/2
O	8	9 15/16	10 5/8	11 3/4	13 5/16	15	14 3/4	16 1/2
N	9	2 1/2	2 1/2	2 1/2	2 1/2	2 1/2	2 1/2	2 1/2
S								
INLET PIPE SIZE	2 1/2 FLG.	2 1/2 FLG.	3 FLG.	4 FLG.	4 FLG.	5 FLG.	6 FLG.	
OUTLET PIPE SIZE	2 1/2 FLG.	2 1/2 FLG.	3 FLG.	4 FLG.	4 FLG.	5 FLG.	6 FLG.	

'A' VALVE SIZE	ITEM	VALVE SIZE AND OVERALL LOCATION						
1/2"	'B'	32 3/4	35 1/8	35 1/4	39 9/16	38 5/16	39 3/4	40 1/4
	'C'	16 1/16	16 5/16	17 5/16	19 13/16	21 5/16	23 5/16	25 5/16
	'D'	11	13	13	16	18	16	17
3/4"	'B'	32 3/4	35 1/8	35 1/4	39 9/16	38 5/16	39 3/4	40 1/4
	'C'	17 1/16	17 5/16	18 5/16	20 13/16	22 5/16	24 5/16	26 5/16
	'D'	11	13	13	16	18	16	17
1"	'B'	32 3/4	35 1/8	35 1/4	39 9/16	38 5/16	39 3/4	40 1/4
	'C'	17 1/16	17 5/16	18 5/16	20 13/16	22 5/16	24 5/16	26 5/16
	'D'	11	13	13	16	18	16	17
1 1/4"	'B'	32 3/4	35 1/8	35 1/4	39 9/16	38 5/16	39 3/4	40 1/4
	'C'	17 1/16	17 5/16	18 5/16	20 13/16	22 5/16	24 5/16	26 5/16
	'D'	11	13	13	16	18	16	17
1 1/2"	'B'	33 1/2	35 7/8	36	40 5/16	39 1/16	40 1/2	41
	'C'	17 1/16	17 5/16	18 5/16	20 13/16	22 5/16	24 5/16	26 5/16
	'D'	11	13	13	16	18	16	17
2"	'B'	35 3/16	37 9/16	37 11/16	42	40 3/4	42 3/16	42 11/16
	'C'	18 7/16	18 11/16	19 11/16	22 3/16	23 11/16	25 11/16	27 11/16
	'D'	11	13	13	16	18	16	17
2 1/2"	'B'	35 15/16	38 5/16	38 7/16	42 3/4	41 1/2	42 15/16	43 7/16
	'C'	15 3/4	16	17	19 1/2	21	23	25
	'D'	11	13	13	16	18	16	17
3"	'B'		40 3/16	40 5/16	44 5/8	43 3/8	44 13/16	45 5/16
	'C'	N/A	17	18	20 1/2	22	24	26
	'D'		13	13	16	18	16	17
4"	'B'			42 5/16	46 5/8	45 3/8	46 13/16	47 5/16
	'C'	N/A	N/A	21	23 1/2	25	27	29
	'D'			16	16	18	16	17
5"	'B'				46 5/8	45 3/8	46 13/16	47 5/16
	'C'	N/A	N/A	N/A	26 1/4	27 3/4	29 3/4	31 3/4
	'D'				16	18	16	17



ISOMETRIC VIEW

NOTES:

- 1/ DIMENSIONS IN INCHES, AND SUBJECT TO CHANGE WITHOUT NOTICE.
- 2/ DIM 'B', 'C', 'D' ARE TO BE APPROXIMATED ONLY, CONSULT FACTORY FOR TIGHT DIMENSIONS.



a nudyne company

Ace Heaters, LLC

www.aceheaters.com



ASME SECTION VIII DIV 1		
DESIGN PRESSURE : (150) psig		
TEXT PRESSURE : (100) psig		
MAX DESIGN TEMPERATURE : 370 °F		
DRWS	NAME	DATE
CHRD	K. JIMENEZ	04/12/2023
APPD		
MRG		
QA		

MATERIAL :	TITLE :	SIVDW - COVER
FINISH :	MINIPACK SYSTEM-VERTICAL DW	
WEIGHT :	WATER 3W - PNEUMATIC	
	OPERATED VALVE PACKAGE	
UNLESS OTHERWISE SPECIFIED DIMENSIONS ARE IN INCHES TOLERANCE	DWG NO.	REV.
DECIMALS .XX ± 0.005	SIVDWWA-3W-DIM	02
ANGULAR ± 30'	SCALE: NA	SHEET: 2 OF 2
MAX SURF .010		

THE INFORMATION CONTAINED WITHIN THIS DRAWING IS PROPRIETARY AND THE SOLE PROPERTY OF ACE HEATERS, LLC. ANY REPRODUCTION IN PART OR AS A WHOLE WITHOUT THE WRITTEN PERMISSION OF ACE HEATERS, LLC IS PROHIBITED.