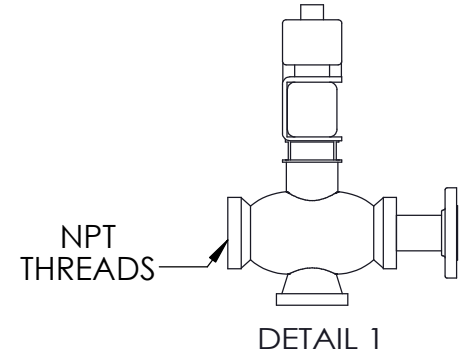


NOTES:

1. REFER TO PRODUCT SPECIFICATION FOR DESCRIPTION OF LETTERED ITEMS.
2. INSTALLATION:
ALL COMPONENTS SHOWN HERE ARE PREWIRED & PREPARED BY ACE HEATERS, LLC. CUSTOMER WILL ONLY NEED TO PLUMB WATER TO BE HEATED, PLUMB BOILER WATER, HOOKUP AIR TO AIR FILTER-PRESSURE REGULATOR, AND BRING ELECTRICITY TO UNIT.
3. DIMENSIONS ARE SUBJECT TO CHANGE. CONSULT FACTORY FOR TIGHT DIMENSIONS.
4. THIS CONFIGURATION CHANGES FOR VALVE SIZE 1/2" TO 2". SEE DETAIL 2 FOR REFERENCE.
5. ADD 6" SPOILER TO CAP INLET IF APPL.

APPROX. EMPTY WT:



	CERTIFIED BY	Ace Heaters, LLC
		www.aceheaters.com
	MAXIMUM ALLOWABLE WORKING PRESSURE	
	SHELL	150 PSI @ 210 °F
	TUBES	150 PSI @ 370 °F
MIN. D.M.T. 0 °F @ 150 PSI		
S/N _____ YEAR BUILT _____		
MODEL _____		
CAPACITY _____ GAL SA _____ SQFT		
JOB NO. _____ XXX		



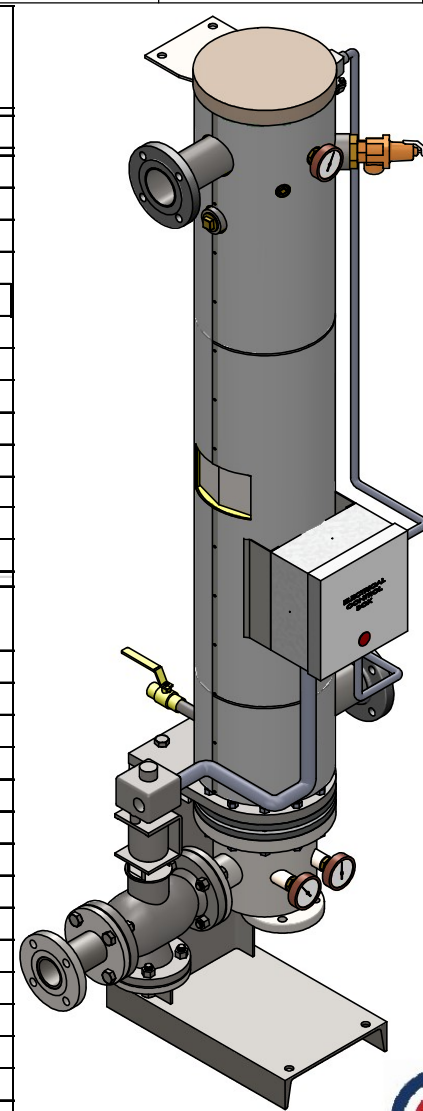
ASME SECTION VIII DIV 1		
DESIGN PRESSURE: (150) psig		
TEXT PRESSURE: (150) psig		
MAX DESIGN TEMPERATURE: 370 °F		
DESIGN	NAME	DATE
DRWN	K. JIMENEZ	04/12/2023
CHKD		
APPD		
MG		
QA		

Ace Heaters, LLC www.aceheaters.com	
MATERIAL:	TITLE: SIVDW - COVER
FINISH:	MINIPACK SYSTEM-VERTICAL DW
WEIGHT:	WATER 2W - SIEMENS ELECTRIC
OPERATED VALVE PACKAGE	
UNLESS OTHERWISE SPECIFIED DIMENSIONS ARE IN INCHES TOLERANCE	DWG NO. SIVDWWE-2W-SIE
DECIMALS .XX ± .01	ANGULAR ± .3
SCALE: NA	SO#
REV. 02	
SHEET: 1 OF 2	

SIVDWWE-2W-SIE, WATER - SIEMENS ELECTRIC OPERATED VALVE PACKAGE SIZE AND LOCATION

MP SIZE	5	6	8	10	12	14	16	
ITEMS	1	10	10 1/2	11 1/2	13 1/2	14 1/2	15 1/2	16 1/2
D	2	10 3/16	12 11/16	12 3/16	16 5/8	18 1/2	16 15/16	17 7/16
I	3	16 15/16	19 5/16	19 7/16	23 3/4	22 1/2	23 15/16	24 7/16
M	4	27 9/16	30 9/16	31 5/16	35 5/8	39 3/8	41 5/8	43 7/8
E	5	61 1/2	62	61 3/4	64	62 1/2	72	75 3/4
S	6	93 7/8	97 3/8	98 5/8	105 1/4	110	121	127
I	7	12	12	12	18	18	18	18
O	8	11 1/16	10 3/8	9 1/4	13 11/16	12	15 1/4	13 1/2
N	9	9 15/16	10 5/8	11 3/4	13 5/16	15	14 3/4	16 1/2
S	10	1 3/8	1 1/2	2 1/16	2 1/2	3 1/16	3 1/8	3 1/4
	11	2 1/2	2 1/2	2 1/2	2 1/2	2 1/2	2 1/2	2 1/2
INLET PIPE SIZE		2 1/2 FLG.	2 1/2 FLG.	3 FLG.	4 FLG.	4 FLG.	5 FLG.	6 FLG.
OUTLET PIPE SIZE		2 1/2 FLG.	2 1/2 FLG.	3 FLG.	4 FLG.	4 FLG.	5 FLG.	6 FLG.

'A' VALVE SIZE	ITEM	VALVE SIZE AND OVERALL LOCATION						
1/2"	'B'	26 3/8	28 3/4	28 7/8	33 3/16	31 15/16	33 3/8	33 7/8
	'C'	12 1/16	12 5/16	13 5/16	15 13/16	17 5/16	19 5/16	21 5/16
3/4"	'B'	27 3/16	29 9/16	29 11/16	34	32 3/4	34 3/16	34 11/16
	'C'	12 11/16	12 15/16	13 15/16	16 7/16	17 15/16	19 15/16	21 15/16
1"	'B'	27 9/16	29 15/16	30 1/16	34 3/8	33 1/8	34 9/16	35 1/16
	'C'	13 1/4	13 1/2	14 1/2	17	18 1/2	20 1/2	22 1/2
1 1/4"	'B'	28 3/16	30 9/16	30 11/16	35	33 3/4	35 3/16	35 11/16
	'C'	13 7/8	14 1/8	15 1/8	17 5/8	19 1/8	21 1/8	23 1/8
1 1/2"	'B'	29 9/16	31 15/16	32 1/16	36 3/8	35 1/8	36 9/16	37 1/16
	'C'	14 7/16	14 11/16	15 11/16	18 3/16	19 11/16	21 11/16	23 11/16
2"	'B'	30 5/16	32 11/16	32 13/16	37 1/8	35 7/8	37 5/16	37 13/16
	'C'	15 5/8	15 7/8	16 7/8	19 3/8	20 7/8	22 7/8	24 7/8
2 1/2"	'B'	32 1/8	34 1/2	34 5/8	38 15/16	37 11/16	39 1/8	39 5/8
	'C'	18 3/16	18 7/16	19 7/16	21 15/16	23 7/16	25 7/16	27 7/16
3"	'B'		39 9/16	39 11/16	44	42 3/4	44 3/16	44 11/16
	'C'	N/A	19 1/4	20 1/4	22 3/4	24 1/4	26 1/4	28 1/4
4"	'B'			42 1/4	46 9/16	45 5/16	46 3/4	47 1/4
	'C'	N/A	N/A	21 3/4	24 1/4	25 3/4	27 3/4	29 3/4
5"	'B'			N/A	46 9/16	45 5/16	46 3/4	47 1/4
	'C'	N/A	N/A	N/A	24 1/2	26	28	30



ISOMETRIC VIEW



a nudyne company
Ace Heaters, LLC
 www.aceheaters.com



ASME SECTION VIII DIV 1		
DESIGN PRESSURE : (0.50) psig		
TEST PRESSURE : (1.00) psig		
MAX DESIGN TEMPERATURE : 370 °F		
DRWN	K. JIMENEZ	04/12/2023
CHKD		
APPD		
MRG		
QA		

MATERIAL :	SIVDW - COVER	
FINISH :	MINIPACK SYSTEM-VERTICAL DW	
WEIGHT :	WATER 2W - SIEMENS ELECTRIC OPERATED VALVE PACKAGE	
UNLESS OTHERWISE SPECIFIED DIMENSIONS ARE IN INCHES TOLERANCE	DWG NO.	REV.
DECIMALS .XX ± .00	SIVDWWE-2W-SIE-DIM	02
ANGULAR ± .5	SCALE: NA	SHEET : 2 OF 2
MAX SURF .XXX ± .010		

NOTES:

- 1/ DIMENSIONS IN INCHES, AND SUBJECT TO CHANGE WITHOUT NOTICE.
- 2/ DIM 'B', 'C' ARE TO BE APPROXIMATED ONLY, CONSULT FACTORY FOR TIGHT DIMENSIONS.

THE INFORMATION CONTAINED WITHIN THIS DRAWING IS PROPRIETARY AND THE SOLE PROPERTY OF ACE HEATERS, LLC. ANY REPRODUCTION IN PART OR AS A WHOLE WITHOUT THE WRITTEN PERMISSION OF ACE HEATERS, LLC IS PROHIBITED.