

8

7

6

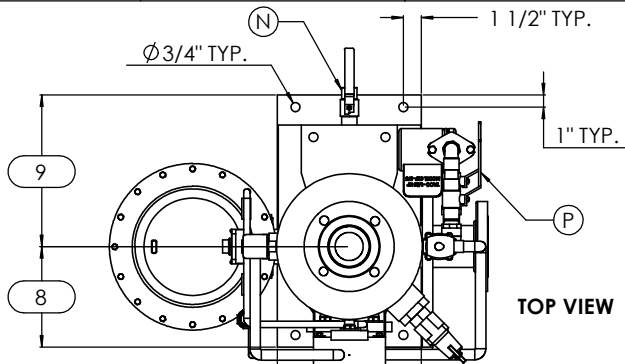
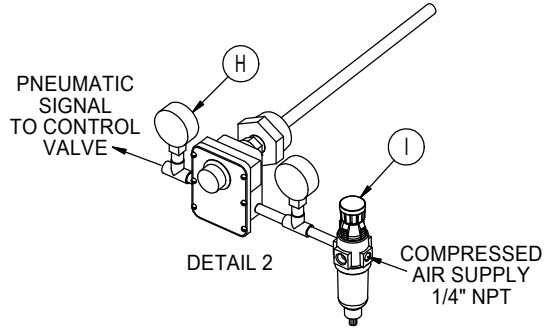
5

4

3

2

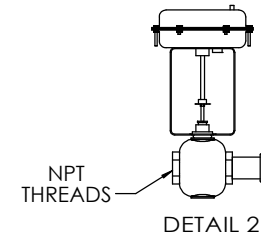
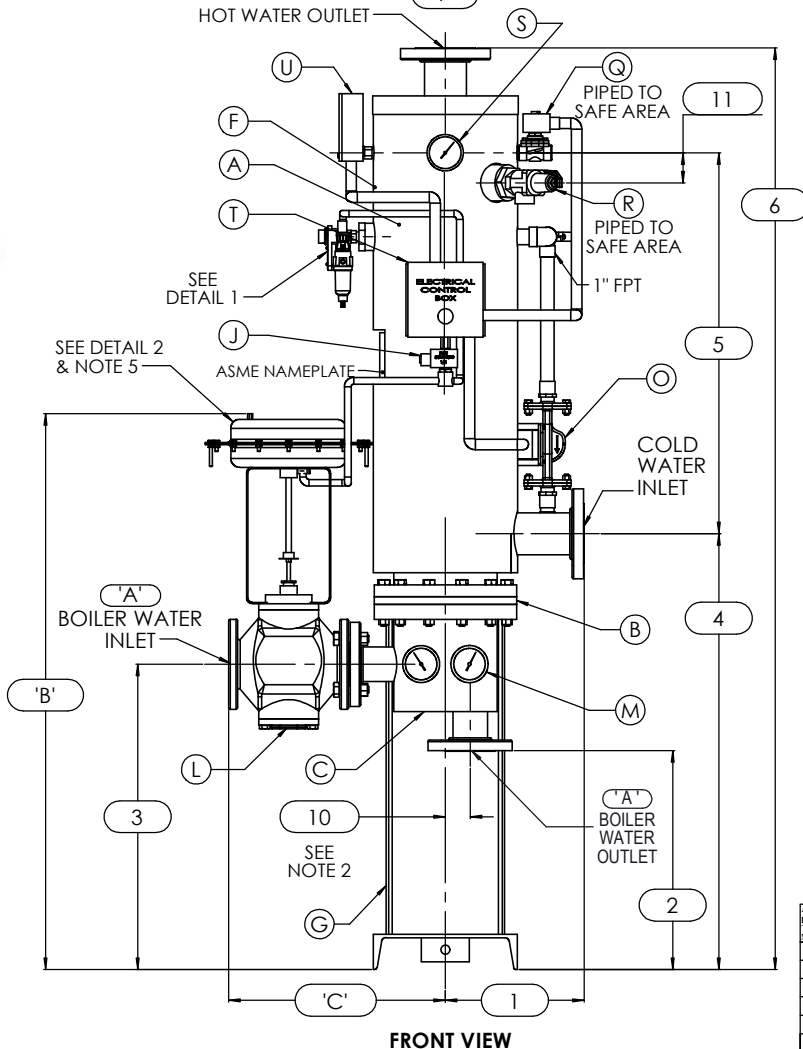
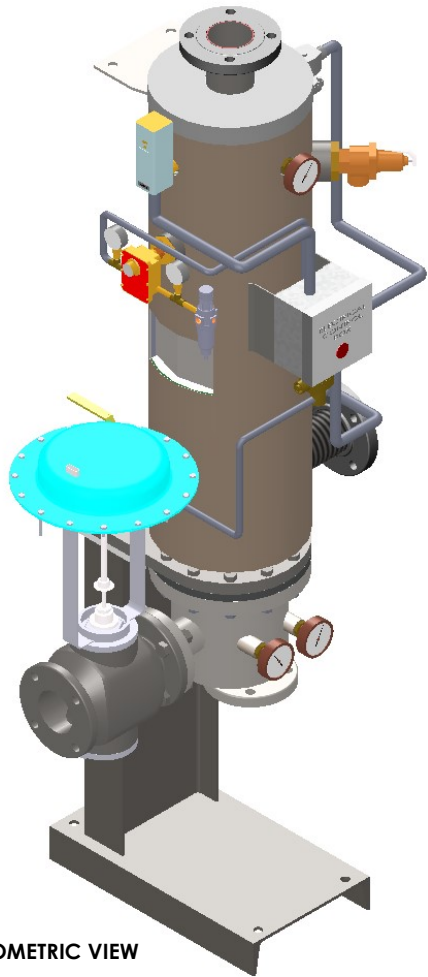
1



NOTES:

1. REFER TO PRODUCT SPECIFICATION FOR DESCRIPTION OF LETTERED ITEMS.
2. **INSTALLATION:**
ALL COMPONENTS SHOWN HERE ARE PREWIRED & PREPIPED BY ACEHEATERS, LLC. CUSTOMER WILL ONLY NEED TO PLUMB WATER TO BE HEATED, PLUMB BOILER WATER, HOOKUP AIR TO AIR FILTER-PRESSURE REGULATOR, AND BRING ELECTRICITY TO UNIT.
3. DIMENSIONS ARE SUBJECT TO CHANGE. CONSULT FACTORY FOR TIGHT DIMENSIONS.
4. THIS CONFIGURATION CHANGES FOR VALVE SIZE 1/2" TO 2". SEE DETAIL 2 FOR REFERENCE.

APPROX. EMPTY WT:



	CERTIFIED BY	
	Ace Heaters, LLC	
	www.aceheatingllc.com	
	MAXIMUM ALLOWABLE WORKING PRESSURE	
	SHELL 150 PSI @ 210 °F	TUBES 150 PSI @ 370 °F
MIN. D.M.T. 0 °F @ 150 PSI		
S/N _____ YEAR BUILT _____		
MODEL _____		
CAPACITY _____ GAL SA. SQFT _____		
JOB NO. _____ XXX _____		



ASME SECTION VIII DIV 1		
DESIGN PRESSURE: (150) psig		
TEXT PRESSURE: (150) psig		
MAX DESIGN TEMPERATURE: 370 °F		
DATE	NAME	DATE
04/12/2023	K. JIMENEZ	
CHD		
APPD		
MG		
QA		

Ace Heaters, LLC www.aceheaters.com	
MATERIAL:	TITLE: SIVSW - COVER
FINISH:	MINIPACK SYSTEM - VERTICAL SW
WEIGHT:	WATER 2W - PNEUMATIC OPERATED
VALVE PACKAGE	
UNLESS OTHERWISE SPECIFIED DIMENSIONS ARE IN INCHES TOLERANCE	DWG NO. SIVSWWA-2W
DECIMALS .XX ± .010	ANGULAR ± .5
SCALE: NA	SO#
SHEET: 1 OF 2	

THE INFORMATION CONTAINED WITHIN THIS DRAWING IS PROPRIETARY AND THE SOLE PROPERTY OF ACE HEATERS, LLC. ANY REPRODUCTION IN PART OR AS A WHOLE WITHOUT THE WRITTEN PERMISSION OF ACE HEATERS, LLC IS PROHIBITED.

8

7

6

5

4

3

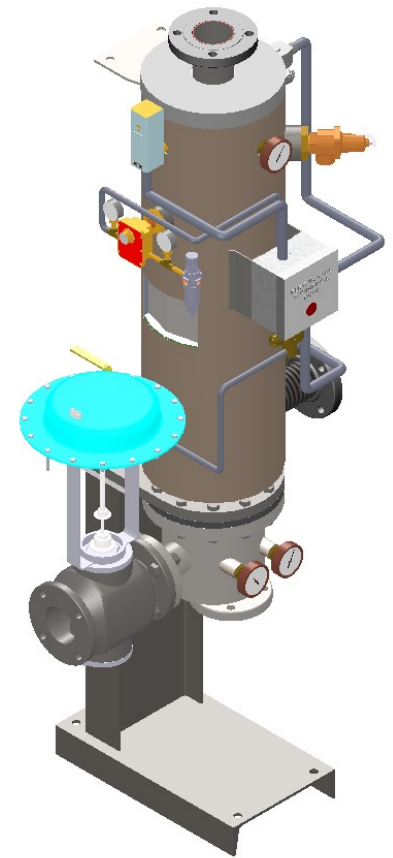
2

1

SIVSWWA, 2W - WATER - PNEUMATIC OPERATED VALVE PACKAGE SIZE AND LOCATION

MP SIZE	4	5	6	8	8L	10	10L	12	12L	14	14L	16	16L	
ITEMS	1	9 1/2	11 1/2	12	11 9/16	11 9/16	13 7/16	13 7/16	14 7/16	14 7/16	15 3/4	15 3/4	17 5/8	17 5/8
DIMENSIONS	2	23 7/16	17 3/16	25 1/16	18 3/16	18 3/16	20 5/8	20 5/8	22 1/8	22 1/8	25 1/16	25 1/16	35 1/16	35 1/16
	3	30 3/16	23 15/16	31 11/16	25 7/16	32 7/16	27 3/4	34 3/4	29 1/8	41 1/8	32 1/16	47 1/16	42 1/16	56 1/16
	4	39 13/16	33 9/16	41 13/16	36 5/16	43 5/16	30 5/8	44 15/16	41 5/8	53 5/8	48 5/8	63 7/8	60 5/8	74 5/8
	5	36	30	36 3/4	31 3/4	37 3/4	32 1/2	38 1/2	33 1/4	45 1/4	40 1/2	55 3/4	50 1/2	65 3/4
	6	82 15/16	69 11/16	85 13/16	75 5/16	88 5/16	79 1/4	92 1/4	83 1/4	107 1/4	98 1/4	128 1/2	121 3/4	149 3/4
	7	12	12	12	12	12	18	18	18	18	18	18	18	18
	8	12 3/16	11 1/16	10 3/8	9 1/4	9 1/4	13 11/16	13 11/16	12	12	15 1/4	15 1/4	13 1/2	13 1/2
	9	8 13/16	9 15/16	10 5/8	11 3/4	11 3/4	13 5/16	13 5/16	15	15	14 3/4	14 3/4	16 1/2	16 1/2
	10	1	1 3/8	1 1/2	2 1/16	2 1/16	2 1/2	2 1/2	3 1/16	3 1/16	3 1/8	3 1/8	3 1/4	3 1/4
	11	2 1/2	2 1/2	2 1/2	2 1/2	2 1/2	2 1/2	2 1/2	2 1/2	2 1/2	2 1/2	2 1/2	2 1/2	2 1/2
	INLET PIPE SIZE	2 THR.	2 1/2 FLG.	2 1/2 FLG.	3 FLG.	3 FLG.	4 FLG.	4 FLG.	4 FLG.	4 FLG.	5 FLG.	5 FLG.	6 FLG.	6 FLG.
OUTLET PIPE SIZE	2 THR.	2 1/2 FLG.	2 1/2 FLG.	3 FLG.	3 FLG.	4 FLG.	4 FLG.	4 FLG.	4 FLG.	5 FLG.	5 FLG.	6 FLG.	6 FLG.	

'A' VALVE SIZE	ITEM	VALVE SIZE AND OVERALL LOCATION													
1/2"	'B'	46	39 3/4	47 1/2	41 1/4	48 1/4	43 9/16	50 9/16	44 15/16	56 15/16	47 7/8	62 7/8	57 7/8	71 7/8	
	'C'	15 9/16	16 1/16	16 5/16	17 5/16	17 5/16	19 13/16	19 13/16	21 5/16	21 5/16	23 5/16	23 5/16	25 5/16	25 5/16	
3/4"	'B'	46	39 3/4	47 1/2	41 1/4	48 1/4	43 9/16	50 9/16	44 15/16	56 15/16	47 7/8	62 7/8	57 7/8	71 7/8	
	'C'	16 9/16	17 1/16	17 5/16	18 5/16	18 5/16	20 13/16	20 13/16	22 5/16	22 5/16	24 5/16	24 5/16	26 5/16	26 5/16	
1"	'B'	46	39 3/4	47 1/2	41 1/4	48 1/4	43 9/16	50 9/16	44 15/16	56 15/16	47 7/8	62 7/8	57 7/8	71 7/8	
	'C'	16 9/16	17 1/16	17 5/16	18 5/16	18 5/16	20 13/16	20 13/16	22 5/16	22 5/16	24 5/16	24 5/16	26 5/16	26 5/16	
1 1/4"	'B'	46	39 3/4	47 1/2	41 1/4	48 1/4	43 9/16	50 9/16	44 15/16	56 15/16	47 7/8	62 7/8	57 7/8	71 7/8	
	'C'	16 9/16	17 1/16	17 5/16	18 5/16	18 5/16	20 13/16	20 13/16	22 5/16	22 5/16	24 5/16	24 5/16	26 5/16	26 5/16	
1 1/2"	'B'	46 3/4	40 1/2	48 1/4	42	49	44 5/16	51 5/16	45 11/16	57 11/16	48 5/8	63 5/8	58 5/8	72 5/8	
	'C'	16 9/16	17 1/16	17 5/16	18 5/16	18 5/16	20 13/16	20 13/16	22 5/16	22 5/16	24 5/16	24 5/16	26 5/16	26 5/16	
2"	'B'	48 7/16	42 3/16	49 15/16	43 11/16	50 11/16	46	53	47 3/8	59 3/8	50 5/16	65 5/16	60 5/16	74 5/16	
	'C'	17 15/16	18 7/16	18 11/16	19 11/16	19 11/16	22 3/16	22 3/16	23 11/16	23 11/16	25 11/16	25 11/16	27 11/16	27 11/16	
2 1/2"	'B'	N/A	42 15/16	50 11/16	44 7/16	51 7/16	46 3/4	53 3/4	48 1/8	60 1/8	51 1/16	66 1/16	61 1/16	75 1/16	
	'C'	N/A	15 3/4	16	17	17	19 1/2	19 1/2	21	21	23	23	25	25	
3"	'B'	N/A	N/A	52 9/16	46 5/16	53 5/16	48 5/8	55 5/8	50	62	52 15/16	67 15/16	62 15/16	76 15/16	
	'C'	N/A	N/A	17	18	18	20 1/2	20 1/2	22	22	24	24	26	26	
4"	'B'	N/A	N/A	N/A	48 5/16	55 5/16	50 5/8	57 5/8	52	64	54 15/16	69 15/16	64 15/16	78 15/16	
	'C'	N/A	N/A	N/A	21	21	23 1/2	23 1/2	25	25	27	27	29	29	
5"	'B'	N/A	N/A	N/A	N/A	N/A	50 5/8	57 5/8	52	64	54 15/16	69 15/16	64 15/16	78 15/16	
	'C'	N/A	N/A	N/A	N/A	N/A	26 1/4	26 1/4	27 3/4	27 3/4	29 3/4	29 3/4	31 3/4	31 3/4	



ISOMETRIC VIEW



a nudyne company

Ace Heaters, LLC

www.aceheaters.com

MATERIAL:	TITLE: SIVSW - COVER MINIPACK SYSTEM - VERTICAL SW WATER 2W - PNEUMATIC OPERATED VALVE PACKAGE
FINISH:	
WEIGHT:	
UNLESS OTHERWISE SPECIFIED DIMENSIONS ARE IN INCHES TOLERANCE	DWG NO. SIVSWWA-2W-DIM
DECIMALS .XX # 0 ANGULAR # 3 XXX # 010 MAX SURF	REV. 02
SCALE: NA	SHEET: 2 OF 2



ASME SECTION VIII DIV 1: DESIGN PRESSURE: (150) psig TEXT PRESSURE: (100) psig MAX DESIGN TEMPERATURE: 370 °F		
DRWNS	K. JIMENEZ	04/12/2023
CRKD		
APPD		
MRG		
QA		

NOTES:

- 1/ DIMENSIONS IN INCHES, AND SUBJECT TO CHANGE WITHOUT NOTICE.
- 2/ DIM 'B', 'C' ARE TO BE APPROXIMATED ONLY, CONSULT FACTORY FOR TIGHT DIMENSIONS.

THE INFORMATION CONTAINED WITHIN THIS DRAWING IS PROPRIETARY AND THE SOLE PROPERTY OF ACE HEATERS, LLC. ANY REPRODUCTION IN PART OR AS A WHOLE WITHOUT THE WRITTEN PERMISSION OF ACE HEATERS, LLC IS PROHIBITED.