

**NOTES:**

1. REFER TO PRODUCT SPECIFICATION FOR DESCRIPTION OF LETTERED ITEMS.
2. **INSTALLATION:** ALL COMPONENTS SHOWN HERE ARE PREWIRED & PREPARED BY ACE HEATERS, LLC. CUSTOMER WILL ONLY NEED TO PLUMB WATER TO BE HEATED, PLUMB BOILER WATER, AND BRING ELECTRICITY TO UNIT.
3. DIMENSIONS ARE SUBJECT TO CHANGE. CONSULT FACTORY FOR TIGHT DIMENSIONS.
4. THIS CONFIGURATION CHANGES FOR VALVE SIZE 1/2" TO 2". SEE DETAIL 1 FOR REFERENCE.

APPROX. EMPTY WT:



	CERTIFIED BY	
	<b>Ace Heaters, LLC</b>	
	www.aceheatingllc.com	
	MAXIMUM ALLOWABLE WORKING PRESSURE	
	SHELL 150 PSI @ 210 °F	TUBES 150 PSI @ 370 °F
MIN. D.M.T. 0 °F @ 150 PSI		
S/N _____ YEAR BUILT _____		
MODEL _____		
CAPACITY _____ GAL SA. SQFT		
JOB NO. _____ XXX		



ASME SECTION VIII DIV 1		
DESIGN PRESSURE: (150) psig		
TEXT PRESSURE: (150) psig		
MAX DESIGN TEMPERATURE: 370 °F		
DATE	NAME	DATE
04/12/2023	K. JIMENEZ	
CHD		
APPD		
MR		
QA		

**Ace Heaters, LLC**

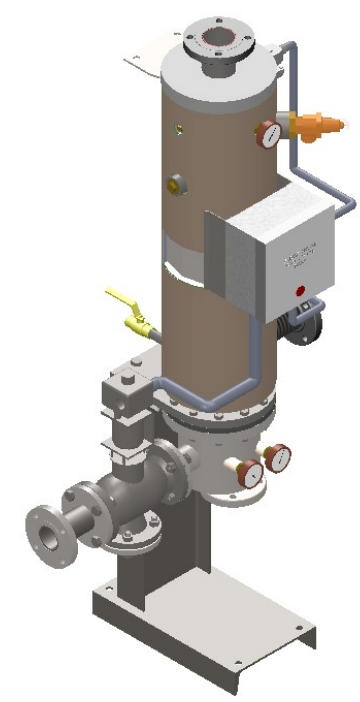
MATERIAL:	TITLE: SIVSW - COVER
FINISH:	MINIPACK SYSTEM - VERTICAL SW
WEIGHT:	WATER 2W - SIEMENS ELECTRIC OPERATED VALVE PACKAGE
UNLESS OTHERWISE SPECIFIED DIMENSIONS ARE IN INCHES TOLERANCE	DWG NO. SIVSWWE-2W-SIE
DECIMALS .XX # 0	REV. 02
ANGULAR # 5	SCALE: NA
XXX # 010 MAX SURF	SHEET: 1 OF 2

THE INFORMATION CONTAINED WITHIN THIS DRAWING IS PROPRIETARY AND THE SOLE PROPERTY OF ACE HEATERS, LLC. ANY REPRODUCTION IN PART OR AS A WHOLE WITHOUT THE WRITTEN PERMISSION OF ACE HEATERS, LLC IS PROHIBITED.

SIVSWWE-2W-SIE, 2W - WATER - ELECTRIC SIEMENS OPERATED VALVE PACKAGE SIZE AND LOCATION

MP SIZE	4	5	6	8	8L	10	10L	12	12L	14	14L	16	16L	
ITEMS	1	9 1/2	11 1/2	12	11 9/16	11 9/16	13 7/16	13 7/16	14 7/16	14 7/16	15 3/4	15 3/4	17 5/8	17 5/8
DIMENSIONS	2	23 7/16	17 3/16	25 1/16	18 3/16	18 3/16	20 5/8	20 5/8	22 1/8	22 1/8	25 1/16	25 1/16	35 1/16	35 1/16
	3	30 3/16	23 15/16	31 11/16	25 7/16	32 7/16	27 3/4	34 3/4	29 1/8	41 1/8	32 1/16	47 1/16	42 1/16	56 1/16
	4	39 13/16	33 9/16	41 13/16	36 5/16	43 5/16	30 5/8	44 15/16	41 5/8	53 5/8	48 5/8	63 7/8	60 5/8	74 5/8
	5	36	30	36 3/4	31 3/4	37 3/4	32 1/2	38 1/2	33 1/4	45 1/4	40 1/2	55 3/4	50 1/2	65 3/4
	6	82 15/16	69 11/16	85 13/16	75 5/16	88 5/16	79 1/4	92 1/4	83 1/4	107 1/4	98 1/4	128 1/2	121 3/4	149 3/4
	7	12	12	12	12	12	18	18	18	18	18	18	18	18
	8	12 3/16	11 1/16	10 3/8	9 1/4	9 1/4	13 11/16	13 11/16	12	12	15 1/4	15 1/4	13 1/2	13 1/2
	9	8 13/16	9 15/16	10 5/8	11 3/4	11 3/4	13 5/16	13 5/16	15	15	14 3/4	14 3/4	16 1/2	16 1/2
	10	1	1 3/8	1 1/2	2 1/16	2 1/16	2 1/2	2 1/2	3 1/16	3 1/16	3 1/8	3 1/8	3 1/4	3 1/4
	11	2 1/2	2 1/2	2 1/2	2 1/2	2 1/2	2 1/2	2 1/2	2 1/2	2 1/2	2 1/2	2 1/2	2 1/2	2 1/2
INLET PIPE SIZE	2 THR.	2 1/2 FLG.	2 1/2 FLG.	3 FLG.	3 FLG.	4 FLG.	4 FLG.	4 FLG.	4 FLG.	5 FLG.	5 FLG.	6 FLG.	6 FLG.	
OUTLET PIPE SIZE	2 THR.	2 1/2 FLG.	2 1/2 FLG.	3 FLG.	3 FLG.	4 FLG.	4 FLG.	4 FLG.	4 FLG.	5 FLG.	5 FLG.	6 FLG.	6 FLG.	

'A' VALVE SIZE	ITEM	VALVE SIZE AND OVERALL LOCATION													
1/2"	'B'	39 5/8	33 3/8	41 1/8	34 7/8	41 7/8	37 3/16	44 3/16	38 9/16	50 9/16	41 1/2	56 1/2	51 1/2	65 1/2	
	'C'	11 9/16	12 1/16	12 5/16	13 5/16	13 5/16	15 13/16	15 13/16	17 5/16	17 5/16	19 5/16	19 5/16	21 5/16	21 5/16	
3/4"	'B'	40 7/16	34 3/16	41 15/16	35 11/16	42 11/16	38	45	39 3/8	51 3/8	42 5/16	57 5/16	52 5/16	66 5/16	
	'C'	12 3/16	12 11/16	12 15/16	13 15/16	13 15/16	16 7/16	16 7/16	17 15/16	17 15/16	19 15/16	19 15/16	21 15/16	21 15/16	
1"	'B'	40 13/16	34 9/16	42 5/16	36 1/16	43 1/16	38 3/8	45 3/8	39 3/4	51 3/4	42 11/16	57 11/16	52 11/16	66 11/16	
	'C'	12 3/4	13 1/4	13 1/2	14 1/2	14 1/2	17	17	18 1/2	18 1/2	20 1/2	20 1/2	22 1/2	22 1/2	
1 1/4"	'B'	41 7/16	35 3/16	42 15/16	36 11/16	43 11/16	39	46	40 3/8	52 3/8	43 5/16	58 5/16	53 5/16	67 5/16	
	'C'	13 3/8	13 7/8	14 1/8	15 1/8	15 1/8	17 5/8	17 5/8	19 1/8	19 1/8	21 1/8	21 1/8	23 1/8	23 1/8	
1 1/2"	'B'	42 13/16	36 9/16	44 5/16	38 1/16	45 1/16	40 3/8	47 3/8	41 3/4	53 3/4	44 11/16	59 11/16	54 11/16	68 11/16	
	'C'	13 15/16	14 7/16	14 11/16	15 11/16	15 11/16	18 3/16	18 3/16	19 11/16	19 11/16	21 11/16	21 11/16	23 11/16	23 11/16	
2"	'B'	43 9/16	37 5/16	45 1/16	38 13/16	45 13/16	41 1/8	48 1/8	42 1/2	54 1/2	45 7/16	60 7/16	55 7/16	69 7/16	
	'C'	15 1/8	15 5/8	15 7/8	16 7/8	16 7/8	19 3/8	19 3/8	20 7/8	20 7/8	22 7/8	22 7/8	24 7/8	24 7/8	
2 1/2"	'B'	N/A	39 1/8	46 7/8	40 5/8	47 5/8	42 15/16	49 15/16	44 5/16	56 5/16	47 1/4	62 1/4	57 1/4	71 1/4	
	'C'	N/A	18 3/16	18 7/16	19 7/16	19 7/16	21 15/16	21 15/16	23 7/16	23 7/16	25 7/16	25 7/16	27 7/16	27 7/16	
3"	'B'	N/A	N/A	51 15/16	45 11/16	52 11/16	48	55	49 3/8	61 3/8	52 5/16	67 5/16	62 5/16	76 5/16	
	'C'	N/A	N/A	19 1/4	20 1/4	20 1/4	22 3/4	22 3/4	24 1/4	24 1/4	26 1/4	26 1/4	28 1/4	28 1/4	
4"	'B'	N/A	N/A	N/A	48 1/4	55 1/4	50 9/16	57 9/16	51 15/16	63 15/16	54 7/8	69 7/8	64 7/8	78 7/8	
	'C'	N/A	N/A	N/A	21 3/4	21 3/4	24 1/4	24 1/4	25 3/4	25 3/4	27 3/4	27 3/4	29 3/4	29 3/4	
5"	'B'	N/A	N/A	N/A	N/A	N/A	50 9/16	57 9/16	51 15/16	63 15/16	54 7/8	69 7/8	64 7/8	78 7/8	
	'C'	N/A	N/A	N/A	N/A	N/A	24 1/2	24 1/2	26	26	28	28	30	30	



ISOMETRIC VIEW



a nudyne company

Ace Heaters, LLC  
www.aceheaters.com

- NOTES:**
- 1/ DIMENSIONS IN INCHES, AND SUBJECT TO CHANGE WITHOUT NOTICE.
  - 2/ DIM 'B', 'C' ARE TO BE APPROXIMATED ONLY, CONSULT FACTORY FOR TIGHT DIMENSIONS.

MADE IN USA

ASME SECTION VIII DIV 1:  
DESIGN PRESSURE: (1500) psig  
TEXT PRESSURE: (1075) psig  
MAX DESIGN TEMPERATURE: 370 °F

REV	NAME	DATE
01	K. JIMENEZ	04/12/2023

MATERIAL:		TITLE:	SIVSW - COVER
FINISH:		MINIPACK SYSTEM - VERTICAL SW	
WEIGHT:		WATER 2W - SIEMENS ELECTRIC	
		OPERATED VALVE PACKAGE	
UNLESS OTHERWISE SPECIFIED DIMENSIONS ARE IN INCHES TOLERANCE		DWG NO.	SIVSWWE-2W-SIE-DIM
DECIMALS .XX ± .01		REV.	02
ANGULAR ± .5°		SCALE: NA	SHEET: 2 OF 2
MAX SURF .010			