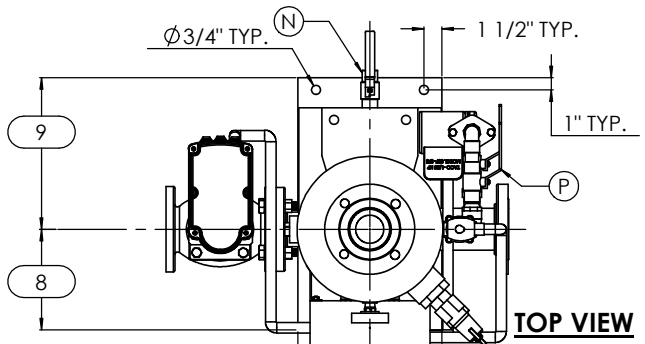
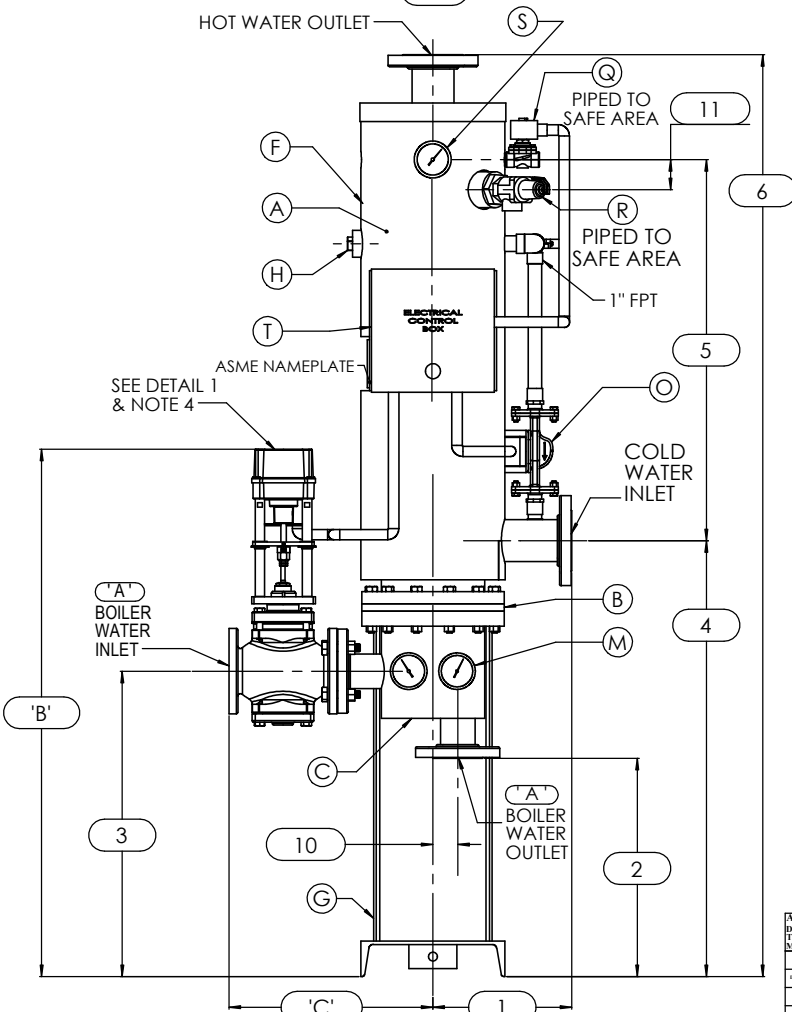


ISOMETRIC VIEW



TOP VIEW

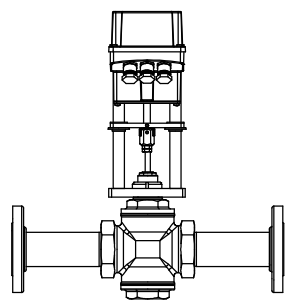


FRONT VIEW

NOTES:

1. REFER TO PRODUCT SPECIFICATION FOR DESCRIPTION OF LETTERED ITEMS.
2. **INSTALLATION:**
ALL COMPONENTS SHOWN HERE ARE PREWIRED & PREPARED BY ACE HEATERS, LLC. CUSTOMER WILL ONLY NEED TO PLUMB WATER TO BE HEATED, PLUMB BOILER WATER, AND BRING ELECTRICITY TO UNIT.
3. DIMENSIONS ARE SUBJECT TO CHANGE. CONSULT FACTORY FOR TIGHT DIMENSIONS.
4. THIS CONFIGURATION CHANGES FOR VALVE SIZE 1/2" TO 2". SEE DETAIL 1 FOR REFERENCE.

APPROX. EMPTY WT:



DETAIL 1



	CERTIFIED BY	
	Ace Heaters, LLC	
	www.aceheatingllc.com	
	MAXIMUM ALLOWABLE WORKING PRESSURE	
	SHELL	150 PSI @ 210 °F
TUBES	150 PSI @ 370 °F	
MIN. D.M.T. 0 °F @ 150 PSI		
S/N _____ YEAR BUILT _____		
MODEL _____		
CAPACITY _____ GAL SA _____ SQFT		
JOB NO. _____ XXX		



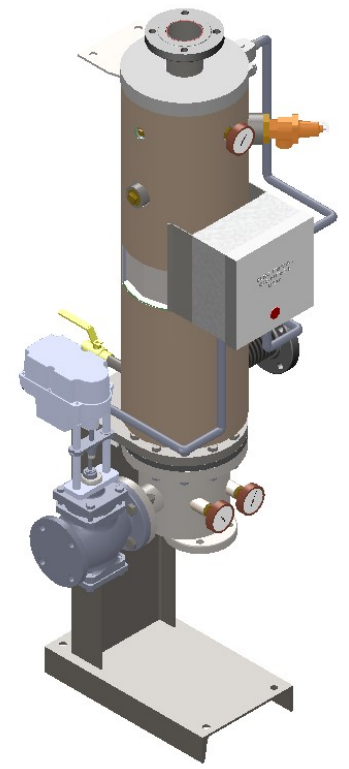
Ace Heaters, LLC
www.aceheaters.com

MATERIAL:	TITLE:	DWG NO.	REV.
FINISH:	SIVSW - COVER		
WEIGHT:	MINIPACK SYSTEM - VERTICAL SW	WATER 2W ELECTRIC OPERATED VALVE PACKAGE	
UNLESS OTHERWISE SPECIFIED DIMENSIONS ARE IN INCHES TOLERANCE		SCALE: NA	
DECIMALS .XX # 0		SHEET: 1 OF 2	
ANGULAR # 3		MAX SURF	
XX # 0.010		MAX SURF	

SIVSWWE-2W, 2W - WATER - ELECTRIC OPERATED VALVE PACKAGE SIZE AND LOCATION

MP SIZE	4	5	6	8	8L	10	10L	12	12L	14	14L	16	16L	
ITEMS	1	9 1/2	11 1/2	12	11 9/16	11 9/16	13 7/16	13 7/16	14 7/16	14 7/16	15 3/4	15 3/4	17 5/8	17 5/8
DIMENSIONS	2	23 7/16	17 3/16	25 1/16	18 3/16	18 3/16	20 5/8	20 5/8	22 1/8	22 1/8	25 1/16	25 1/16	35 1/16	35 1/16
	3	30 3/16	23 15/16	31 11/16	25 7/16	32 7/16	27 3/4	34 3/4	29 1/8	41 1/8	32 1/16	47 1/16	42 1/16	56 1/16
	4	39 13/16	33 9/16	41 13/16	36 5/16	43 5/16	30 5/8	44 15/16	41 5/8	53 5/8	48 5/8	63 7/8	60 5/8	74 5/8
	5	36	30	36 3/4	31 3/4	37 3/4	32 1/2	38 1/2	33 1/4	45 1/4	40 1/2	55 3/4	50 1/2	65 3/4
	6	82 15/16	69 11/16	85 13/16	75 5/16	88 5/16	79 1/4	92 1/4	83 1/4	107 1/4	98 1/4	128 1/2	121 3/4	149 3/4
	7	12	12	12	12	12	18	18	18	18	18	18	18	18
	8	12 3/16	11 1/16	10 3/8	9 1/4	9 1/4	13 11/16	13 11/16	12	12	15 1/4	15 1/4	13 1/2	13 1/2
	9	8 13/16	9 15/16	10 5/8	11 3/4	11 3/4	13 5/16	13 5/16	15	15	14 3/4	14 3/4	16 1/2	16 1/2
	10	1	1 3/8	1 1/2	2 1/16	2 1/16	2 1/2	2 1/2	3 1/16	3 1/16	3 1/8	3 1/8	3 1/4	3 1/4
	11	2 1/2	2 1/2	2 1/2	2 1/2	2 1/2	2 1/2	2 1/2	2 1/2	2 1/2	2 1/2	2 1/2	2 1/2	2 1/2
	INLET PIPE SIZE	2 THR.	2 1/2 FLG.	2 1/2 FLG.	3 FLG.	3 FLG.	4 FLG.	4 FLG.	4 FLG.	4 FLG.	5 FLG.	5 FLG.	6 FLG.	6 FLG.
OUTLET PIPE SIZE	2 THR.	2 1/2 FLG.	2 1/2 FLG.	3 FLG.	3 FLG.	4 FLG.	4 FLG.	4 FLG.	4 FLG.	5 FLG.	5 FLG.	6 FLG.	6 FLG.	

'A' VALVE SIZE	ITEM	VALVE SIZE AND OVERALL LOCATION													
1/2"	'B'	45 15/16	39 11/16	47 7/16	41 3/16	48 3/16	43 1/2	50 1/2	44 7/8	56 7/8	47 13/16	62 13/16	57 13/16	71 13/16	
	'C'	17 1/8	17 5/8	17 7/8	18 7/8	18 7/8	21 3/8	21 3/8	22 7/8	22 7/8	24 7/8	24 7/8	26 7/8	26 7/8	
3/4"	'B'	45 15/16	39 11/16	47 7/16	41 3/16	48 3/16	43 1/2	50 1/2	44 7/8	56 7/8	47 13/16	62 13/16	57 13/16	71 13/16	
	'C'	17 1/8	17 5/8	17 7/8	18 7/8	18 7/8	21 3/8	21 3/8	22 7/8	22 7/8	24 7/8	24 7/8	26 7/8	26 7/8	
1"	'B'	45 15/16	39 11/16	47 7/16	41 3/16	48 3/16	43 1/2	50 1/2	44 7/8	56 7/8	47 13/16	62 13/16	57 13/16	71 13/16	
	'C'	17 1/8	17 5/8	17 7/8	18 7/8	18 7/8	21 3/8	21 3/8	22 7/8	22 7/8	24 7/8	24 7/8	26 7/8	26 7/8	
1 1/4"	'B'	46 9/16	40 5/16	48 1/16	41 13/16	48 13/16	44 1/8	51 1/8	45 1/2	57 1/2	48 7/16	63 7/16	58 7/16	72 7/16	
	'C'	18	18 1/2	18 3/4	19 3/4	19 3/4	22 1/4	22 1/4	23 3/4	23 3/4	25 3/4	25 3/4	27 3/4	27 3/4	
1 1/2"	'B'	46 9/16	40 5/16	48 1/16	41 13/16	48 13/16	44 1/8	51 1/8	45 1/2	57 1/2	48 7/16	63 7/16	58 7/16	72 7/16	
	'C'	18	18 1/2	18 3/4	19 3/4	19 3/4	22 1/4	22 1/4	23 3/4	23 3/4	25 3/4	25 3/4	27 3/4	27 3/4	
2"	'B'	46 13/16	40 9/16	48 5/16	42 1/16	49 1/16	44 3/8	51 3/8	45 3/4	57 3/4	48 11/16	63 11/16	58 11/16	72 11/16	
	'C'	18 3/4	19 1/4	19 1/2	20 1/2	20 1/2	23	23	24 1/2	24 1/2	26 1/2	26 1/2	28 1/2	28 1/2	
2 1/2"	'B'	42 15/16	50 11/16	44 7/16	51 7/16	46 3/4	53 3/4	48 1/8	60 1/8	51 1/16	66 1/16	61 1/16	75 1/16		
	'C'	N/A	15 3/4	16	17	17	19 1/2	19 1/2	21	21	23	23	25	25	
3"	'B'	N/A	N/A	51 5/16	45 1/16	52 1/16	47 3/8	54 3/8	48 3/4	60 3/4	51 11/16	66 11/16	61 11/16	75 11/16	
	'C'	N/A	N/A	17	18	18	20 1/2	20 1/2	22	22	24	24	26	26	
4"	'B'	N/A	N/A	N/A	46 3/16	53 3/16	48 1/2	55 1/2	49 7/8	61 7/8	52 13/16	67 13/16	62 13/16	76 13/16	
	'C'	N/A	N/A	N/A	21	21	23 1/2	23 1/2	25	25	27	27	29	29	
5"	'B'	N/A	N/A	N/A	N/A	N/A	49	56	50 3/8	62 3/8	53 5/16	68 5/16	63 5/16	77 5/16	
	'C'	N/A	N/A	N/A	N/A	N/A	26 1/4	26 1/4	27 3/4	27 3/4	29 3/4	29 3/4	31 3/4	31 3/4	



ISOMETRIC VIEW



a nudyne company

Ace Heaters, LLC
www.aceheaters.com

- NOTES:**
- 1/ DIMENSIONS IN INCHES, AND SUBJECT TO CHANGE WITHOUT NOTICE.
 - 2/ DIM 'B', 'C' ARE TO BE APPROXIMATED ONLY, CONSULT FACTORY FOR TIGHT DIMENSIONS.

MADE IN USA

ASME SECTION VIII DIV 1:
DESIGN PRESSURE: (150) psig
TEXT PRESSURE: (10) psig
MAX DESIGN TEMPERATURE: 370 °F

DRWSN	NAME	DATE
K. JIMENEZ		04/12/2023

UNLESS OTHERWISE SPECIFIED DIMENSIONS ARE IN INCHES TOLERANCE

DECIMALS .XX ± .010 ANGULAR ± .5° MAX SURF

MATERIAL:	TITLE: SIVSW - COVER MINIPACK SYSTEM - VERTICAL SW WATER 2W ELECTRIC OPERATED VALVE PACKAGE
FINISH:	
WEIGHT:	
DWG NO. SIVSWWE-2W-DIM	REV. 02
SCALE: NA	SHEET: 2 OF 2