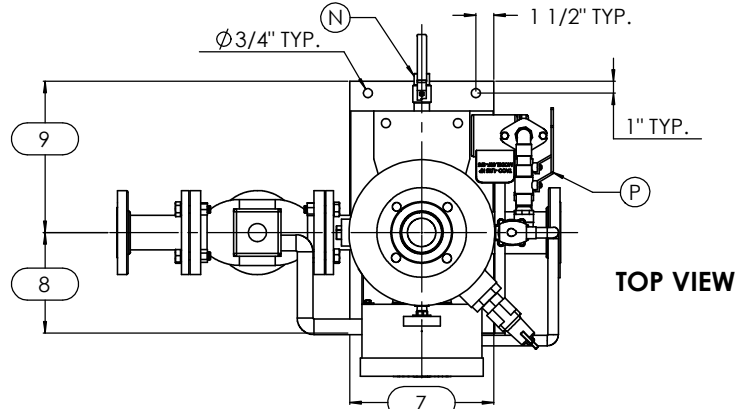
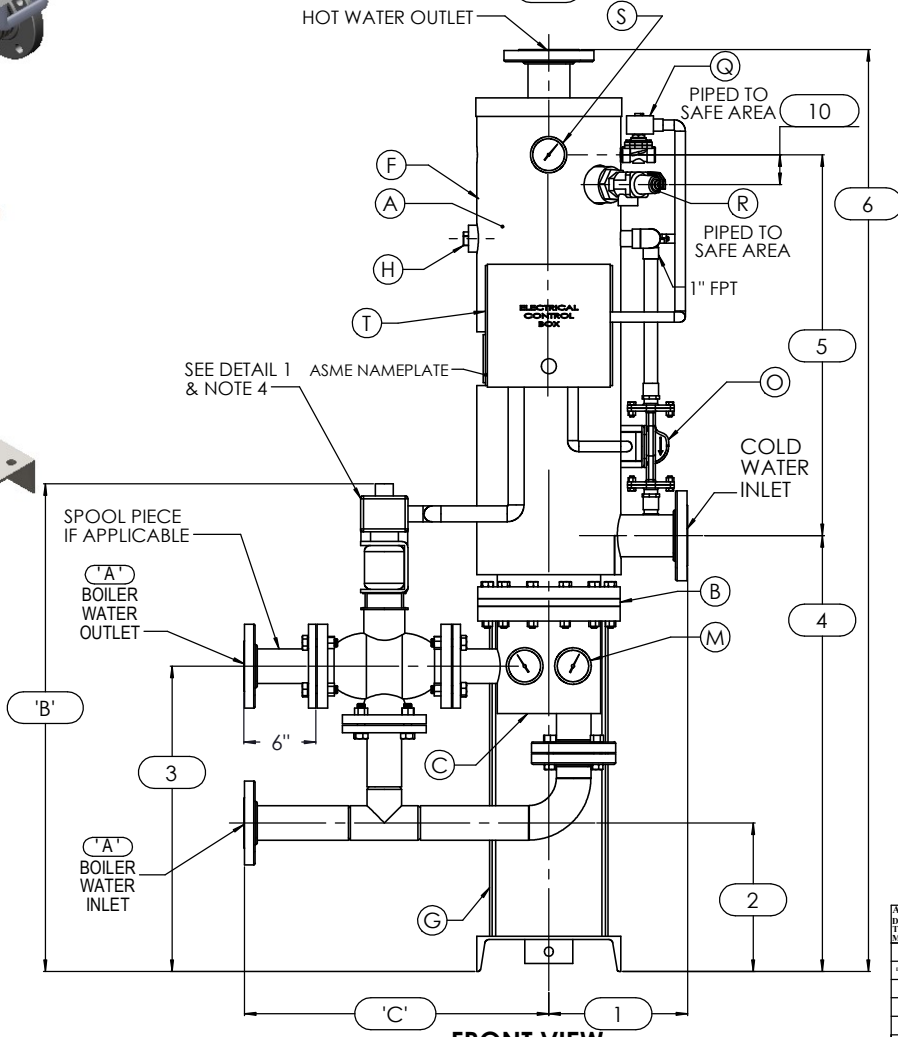


ISOMETRIC VIEW



TOP VIEW

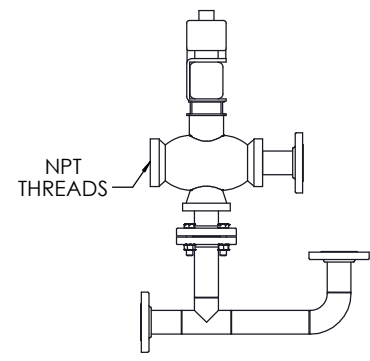


FRONT VIEW

NOTES:

1. REFER TO PRODUCT SPECIFICATION FOR DESCRIPTION OF LETTERED ITEMS.
2. **INSTALLATION:** ALL COMPONENTS SHOWN HERE ARE PREWIRED & PREPARED BY ACE HEATERS, LLC. CUSTOMER WILL ONLY NEED TO PLUMB WATER TO BE HEATED, PLUMB BOILER WATER, AND BRING ELECTRICITY TO UNIT.
3. DIMENSIONS ARE SUBJECT TO CHANGE. CONSULT FACTORY FOR TIGHT DIMENSIONS.
4. THIS CONFIGURATION CHANGES FOR VALVE SIZE 1/2" TO 2". SEE DETAIL 1 FOR REFERENCE.

APPROX. EMPTY WT:



DETAIL 1



 U	CERTIFIED BY	
	Ace Heaters, LLC www.aceheatingllc.com	
	MAXIMUM ALLOWABLE WORKING PRESSURE SHELL 150 PSI @ 210 °F TUBES 150 PSI @ 370 °F MIN. D.M.T. 0 °F @ 150 PSI S/N _____ YEAR BUILT _____	
	MODEL _____ CAPACITY _____ GAL SA _____ SQFT JOB NO. _____ XXX	



ASME SECTION VIII DIV 1: DESIGN PRESSURE: (150) psig TEST PRESSURE: (195) psig MAX DESIGN TEMPERATURE: 370 °F			
DESIGNER	K. JIMENEZ	DATE	04/12/2023
CHD			
APPD			
MR			
QA			

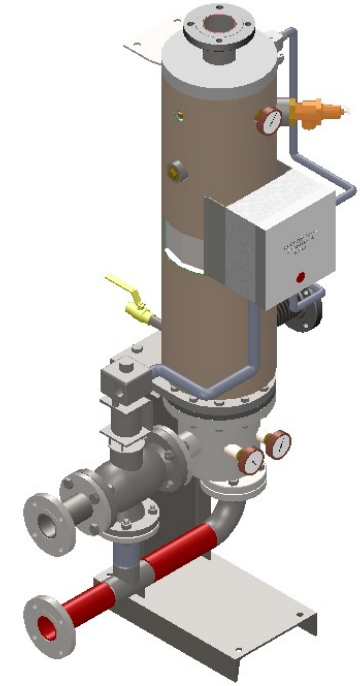
Ace Heaters, LLC www.aceheaters.com	
MATERIAL:	TITLE: SIVSW - COVER MINIPACK SYSTEM - VERTICAL SW WATER 3W - SIEMENS ELECTRIC OPERATED VALVE PACKAGE
FINISH:	
WEIGHT:	
UNLESS OTHERWISE SPECIFIED DIMENSIONS ARE IN INCHES TOLERANCE DECIMALS ANGULAR .XX # @ #.3 .XXX # .010 MAX SURF	
DWG NO. SIVSWWE-3W-SIE	REV. 02
SCALE: NA	SHEET: 1 OF 2

THE INFORMATION CONTAINED WITHIN THIS DRAWING IS PROPRIETARY AND THE SOLE PROPERTY OF ACE HEATERS, LLC. ANY REPRODUCTION IN PART OR AS A WHOLE WITHOUT THE WRITTEN PERMISSION OF ACE HEATERS, LLC IS PROHIBITED.

SIVSWWE-3W-SIE, 3W - WATER - ELECTRIC SIEMENS OPERATED VALVE PACKAGE SIZE AND LOCATION

MP SIZE	4	5	6	8	8L	10	10L	12	12L	14	14L	16	16L	
ITEMS	1	9 1/2	11 1/2	12	11 9/16	11 9/16	13 7/16	13 7/16	14 7/16	14 7/16	15 3/4	15 3/4	17 5/8	17 5/8
	2	13 7/16	7 3/16	15 1/16	8 3/16	8 3/16	10 5/8	10 5/8	12 1/8	12 1/8	15 1/16	15 1/16	25 1/16	25 1/16
	3	30 3/16	23 15/16	31 11/16	25 7/16	32 7/16	27 3/4	34 3/4	29 1/8	41 1/8	32 1/16	47 1/16	42 1/16	56 1/16
	4	39 13/16	33 9/16	41 13/16	36 5/16	43 5/16	30 5/8	44 15/16	41 5/8	53 5/8	48 5/8	63 7/8	60 5/8	74 5/8
	5	36	30	36 3/4	31 3/4	37 3/4	32 1/2	38 1/2	33 1/4	45 1/4	40 1/2	55 3/4	50 1/2	65 3/4
	6	82 15/16	69 11/16	85 13/16	75 5/16	88 5/16	79 1/4	92 1/4	83 1/4	107 1/4	98 1/4	128 1/2	121 3/4	149 3/4
	7	12	12	12	12	12	18	18	18	18	18	18	18	18
	8	12 3/16	11 1/16	10 3/8	9 1/4	9 1/4	13 11/16	13 11/16	12	12	15 1/4	15 1/4	13 1/2	13 1/2
	9	8 13/16	9 15/16	10 5/8	11 3/4	11 3/4	13 5/16	13 5/16	15	15	14 3/4	14 3/4	16 1/2	16 1/2
	10	2 1/2	2 1/2	2 1/2	2 1/2	2 1/2	2 1/2	2 1/2	2 1/2	2 1/2	2 1/2	2 1/2	2 1/2	2 1/2
INLET PIPE SIZE	2 THR.	2 1/2 FLG.	2 1/2 FLG.	3 FLG.	3 FLG.	4 FLG.	4 FLG.	4 FLG.	4 FLG.	5 FLG.	5 FLG.	6 FLG.	6 FLG.	
OUTLET PIPE SIZE	2 THR.	2 1/2 FLG.	2 1/2 FLG.	3 FLG.	3 FLG.	4 FLG.	4 FLG.	4 FLG.	4 FLG.	5 FLG.	5 FLG.	6 FLG.	6 FLG.	

'A' VALVE SIZE	ITEM	VALVE SIZE AND OVERALL LOCATION													
1/2"	'B'	39 5/8	33 3/8	41 1/8	34 7/8	41 7/8	37 3/16	44 3/16	38 9/16	50 9/16	41 1/2	56 1/2	51 1/2	65 1/2	
	'C'	11 9/16	12 1/16	12 5/16	13 5/16	13 5/16	15 13/16	15 13/16	17 5/16	17 5/16	19 5/16	19 5/16	21 5/16	21 5/16	
3/4"	'B'	40 7/16	34 3/16	41 15/16	35 11/16	42 11/16	38	45	39 3/8	51 3/8	42 5/16	57 5/16	52 5/16	66 5/16	
	'C'	12 3/16	12 11/16	12 15/16	13 15/16	13 15/16	16 7/16	16 7/16	17 15/16	17 15/16	19 15/16	19 15/16	21 15/16	21 15/16	
1"	'B'	40 13/16	34 9/16	42 5/16	36 1/16	43 1/16	38 3/8	45 3/8	39 3/4	51 3/4	42 11/16	57 11/16	52 11/16	66 11/16	
	'C'	12 3/4	13 1/4	13 1/2	14 1/2	14 1/2	17	17	18 1/2	18 1/2	20 1/2	20 1/2	22 1/2	22 1/2	
1 1/4"	'B'	41 7/16	35 3/16	42 15/16	36 11/16	43 11/16	39	46	40 3/8	52 3/8	43 5/16	58 5/16	53 5/16	67 5/16	
	'C'	13 3/8	13 7/8	14 1/8	15 1/8	15 1/8	17 5/8	17 5/8	19 1/8	19 1/8	21 1/8	21 1/8	23 1/8	23 1/8	
1 1/2"	'B'	42 13/16	36 9/16	44 5/16	38 1/16	45 1/16	40 3/8	47 3/8	41 3/4	53 3/4	44 11/16	59 11/16	54 11/16	68 11/16	
	'C'	13 15/16	14 7/16	14 11/16	15 11/16	15 11/16	18 3/16	18 3/16	19 11/16	19 11/16	21 11/16	21 11/16	23 11/16	23 11/16	
2"	'B'	43 9/16	37 5/16	45 1/16	38 13/16	45 13/16	41 1/8	48 1/8	42 1/2	54 1/2	45 7/16	60 7/16	55 7/16	69 7/16	
	'C'	15 1/8	15 5/8	15 7/8	16 7/8	16 7/8	19 3/8	19 3/8	20 7/8	20 7/8	22 7/8	22 7/8	24 7/8	24 7/8	
2 1/2"	'B'	N/A	39 1/8	46 7/8	40 5/8	47 5/8	42 15/16	49 15/16	44 5/16	56 5/16	47 1/4	62 1/4	57 1/4	71 1/4	
	'C'	N/A	18 3/16	18 7/16	19 7/16	19 7/16	21 15/16	21 15/16	23 7/16	23 7/16	25 7/16	25 7/16	27 7/16	27 7/16	
3"	'B'	N/A	N/A	51 15/16	45 11/16	52 11/16	48	55	49 3/8	61 3/8	52 5/16	67 5/16	62 5/16	76 5/16	
	'C'	N/A	N/A	19 1/4	20 1/4	20 1/4	22 3/4	22 3/4	24 1/4	24 1/4	26 1/4	26 1/4	28 1/4	28 1/4	
4"	'B'	N/A	N/A	N/A	48 1/4	55 1/4	50 9/16	57 9/16	51 15/16	63 15/16	54 7/8	69 7/8	64 7/8	78 7/8	
	'C'	N/A	N/A	N/A	21 3/4	21 3/4	24 1/4	24 1/4	25 3/4	25 3/4	27 3/4	27 3/4	29 3/4	29 3/4	
5"	'B'	N/A	N/A	N/A	N/A	N/A	50 9/16	57 9/16	51 15/16	63 15/16	54 7/8	69 7/8	64 7/8	78 7/8	
	'C'	N/A	N/A	N/A	N/A	N/A	24 1/2	24 1/2	26	26	28	28	30	30	



ISOMETRIC VIEW



Ace Heaters, LLC

www.aceheaters.com

- NOTES:**
- 1/ DIMENSIONS IN INCHES, AND SUBJECT TO CHANGE WITHOUT NOTICE.
 - 2/ DIM 'B', 'C' ARE TO BE APPROXIMATED ONLY, CONSULT FACTORY FOR TIGHT DIMENSIONS.

<p>MADE IN USA</p>		
<p>ASME SECTION VIII DIV 1: DESIGN PRESSURE: (150) psig TEST PRESSURE: (195) psig MAX DESIGN TEMPERATURE: 370 °F</p>		
DESIGN	NAME	DATE
CHD	K. JIMENEZ	04/12/2023
APP'D		
REV		
QA		

MATERIAL:	TITLE: SIVSW - COVER MINIPACK SYSTEM - VERTICAL SW WATER 3W - SIEMENS ELECTRIC OPERATED VALVE PACKAGE
FINISH:	
WEIGHT:	
UNLESS OTHERWISE SPECIFIED DIMENSIONS ARE IN INCHES TOLERANCE	DWG NO. SIVSWWE-3W-SIE-DIM
DECIMALS .XX ± .010 ANGULAR ± .5° MAX SURF	REV. 02
SCALE: NA	SHEET: 2 OF 2

THE INFORMATION CONTAINED WITHIN THIS DRAWING IS PROPRIETARY AND THE SOLE PROPERTY OF ACE HEATERS, LLC. ANY REPRODUCTION IN PART OR AS A WHOLE WITHOUT THE WRITTEN PERMISSION OF ACE HEATERS, LLC IS PROHIBITED.