

# Storage Tanks

Cement • Pre-Krete • Glass • Unlined  
Epoxy • Stainless Steel



# Storage Tanks

Cement • Pre-Krete • Glass • Unlined • Epoxy • Stainless Steel



The Ace Series Storage Tanks are designed and manufactured using only the highest quality ASME code certified materials for all types of volume hot water requirements. A broad selection of tank linings provide extended tank life and ensures clean, safe potable water.

## Features

- All fabrication, welding, and testing performed in strict accordance with ASME codes, and continuously checked by ASME/National Board Inspections
- Effective circulation of makeup and heater water
- Maximum hot water storage and “draw” capacity
- Broad selection of tank linings:
  - Unlined - Low cost storage of water for non-potable and non-sanitary use
  - Glass - Porcelain glass enamel for temperatures up to 160°F
  - Cement - Heavy duty, resist cracking, good for temperatures to 180°F
  - Pre-Krete - very suitable for soft, acidic or low pH water, for temperature up to 350°F
  - Epoxy - The epoxy lining is NFS Certified for hot water potable systems. Designed for long-term corrosion protection as well as resistant to steam out processes. Suitable for temperatures up to 203°F



## Standard Equipment

---

- Quality carbon steel construction, diameter 18” to 72”
- Cement lining is standard, other options available
- Choice of:
  - SJ: 150 psig ASME Section VIII tank
  - Vertical or horizontal orientation
- Inspection openings for all SJ tank sizes 18” to 36”; 12”x 16” manway for SJ tank sizes 42” to 72”
- Shop primered exterior
- Stainless steel fittings for SJ tanks
- Angle legs couplings on vertical models
- Lift lugs

## Optional Equipment

---

- Cement, epoxy, pre-krete lining, or glass on SJ tanks
- Magnesium anodes standard with glass lined tanks
- Vertical support
  - Pipe legs (with or without pads)
  - Ring base
  - Angle iron legs (with or without pads)
- Horizontal support
  - Saddles (welded or loose)
- Skid mounted, 1-1/2”, 2” or 3” insulation & jacketing
  - 22 gauge galvanized steel jacket
  - Mirror finish stainless steel jacket
- Flanged connection
- 304L or 316L stainless steel fittings
- 11”x 15” manways for 30” & 36” tanks
- Seismic support





## Dimensions

TANK MODEL	SIZE DIA. x O.A.L. (Inches)	CAPACITY (Gallons)	APPROXIMATE SHIPPING WEIGHT					TANK SURFACE AREA (Sq.Ft.)	
			U-UNLINED G-GLASS		A-CEMENT		K-PRE KRETE		
				SJ	SD	SJ	SD		SJ
	<b>18" Dia.</b>	<b>13 Gal./ft.</b>		<b>25</b>				<b>5 sq.ft./ft.</b>	
1802	36	36		100#		N/A		15 sq.ft.	
1803	48	49		125#		N/A		20 sq.ft.	
1804	60	62		150#		N/A		25 sq.ft.	
1805	72	75		175#		N/A		30 sq.ft.	
	<b>24" Dia.</b>	<b>23 Gal./ft.</b>		<b>40 #/ft.</b>				<b>6 sq.ft./ft.</b>	
2404	63	117		N/A		N/A		37 sq.ft.	
2405	75	140		N/A		N/A		43 sq.ft.	
2406	87	163		N/A		N/A		49 sq.ft.	
2407	99	186		N/A		N/A		55 sq.ft.	
	<b>30" Dia.</b>	<b>35 Gal./ft.</b>		<b>61 #/ft.</b>		<b>82 #/ft.</b>		<b>8 sq.ft./ft.</b>	
3004	66	190		362#		494#		47 sq.ft.	
3005	78	225		410#		576#		55 sq.ft.	
3006	90	260		458#		658#		63 sq.ft.	
3007	102	295		506#		740#		71 sq.ft.	
	<b>36" Dia.</b>	<b>50 Gal./ft.</b>		<b>100 #/ft.</b>		<b>130 #/ft.</b>		<b>10 sq.ft./ft.</b>	
3604	69	275		621#		801#		60 sq.ft.	
3605	81	325		695#		905#		70 sq.ft.	
3606	93	375		769#		1,009#		80 sq.ft.	
3607	105	425		843#		1,113#		90 sq.ft.	
3608	117	475		917#		1,217#		100 sq.ft.	
	<b>42" Dia.</b>	<b>70 Gal./ft.</b>		<b>117 #/ft.</b>		<b>159 #/ft.</b>		<b>11 sq.ft./ft.</b>	
4204	72	390		765#		999#		75 sq.ft.	
4205	84	460		882#		1,153#		86 sq.ft.	
4206	96	530		999#		1,307#		97 sq.ft.	
4207	108	600		1,116#		1,461#		108 sq.ft.	
4208	120	670		1,233#		1,615#		119 sq.ft.	
	<b>48" Dia.</b>	<b>95 Gal./ft.</b>		<b>157 #/ft.</b>		<b>211 #/ft.</b>		<b>12 sq.ft./ft.</b>	
4804	75	510		1,012#		1,306#		85 sq.ft.	
4805	87	605		1,142#		1,476#		97 sq.ft.	
4806	99	700		1,272#		1,646#		109 sq.ft.	
4807	111	795		1,402#		1,816#		121 sq.ft.	
4808	123	890		1,532#		1,986#		133 sq.ft.	
	<b>54" Dia.</b>	<b>120 Gal./ft.</b>		<b>210 #/ft.</b>		<b>279 #/ft.</b>		<b>14 sq.ft./ft.</b>	
5405	91	740		1,650#		2,079#		110 sq.ft.	
5406	103	860		1,826#		2,324#		124 sq.ft.	
5407	115	980		2,002#		2,569#		138 sq.ft.	
5408	127	1,100		2,178#		2,814#		152 sq.ft.	
	<b>60" Dia.</b>	<b>145 Gal./ft.</b>		<b>235 #/ft.</b>		<b>319 #/ft.</b>		<b>15 sq.ft./ft.</b>	
6005	93	940		1,912#		2,428#		130 sq.ft.	
6006	105	1,085		2,107#		2,707#		145 sq.ft.	
6007	117	1,230		2,302#		2,986#		160 sq.ft.	
	<b>66" Dia.</b>	<b>175 Gal./ft.</b>		<b>257 #/ft.</b>		<b>359 #/ft.</b>		<b>17 sq.ft./ft.</b>	
6605	95	1,155		2,172#		2,790#		141 sq.ft.	
6606	107	1,330		2,429#		3,149#		158 sq.ft.	
	<b>72" Dia.</b>	<b>210 Gal./ft.</b>		<b>282 #/ft.</b>		<b>402 #/ft.</b>		<b>19 sq.ft./ft.</b>	
7205	98	1,405		2,669#		3,383#		162 sq.ft.	
7206	110	1,615		2,950#		3,784#		181 sq.ft.	

Use SW For Section IV @ 125 psig Tanks. SW models are available in 24" to 42" diameter only. Use SJ for Section VIII @ 150 psig Tanks.

(O.A.L.) Dimensions are nominal. ±2% tolerance should be allowed on dimensions and capacity. Subject to change. Order by Tank Model number. Add Tank Lining Code to Tank Model number when ordering. Glass lined tank supplied with pipe leg fittings. Saddles or brackets can be furnished welded for all lined tanks, or loose for unlined tanks only. Glass lined tanks limited to 10 feet shell length. Tanks listed have shell lengths in even foot increments.

Tank sizes of 6009, 6609, and 7209 are available in unlined, cement, and pre-krete lined only. Contact factory for custom sizing.

### ATAHCO CEMENT (C)

Cement lining shall be ATAHCO™ as supplied by ACE HEATERS, or an approved equal. The inside surface of the tank shall be thoroughly cleaned prior to application. The entire surface shall then be coated with low soluble cement to a minimum thickness of 1/4" for tanks 48" diameter and under; and 3/8" thick for tanks 54" in diameter and over. The cement shall be of a type that resists corrosion and shall have the same coefficient of expansion as the steel shell. Suitable for potable water up to a maximum of 180°F.

### EPOXY (E)

The epoxy lining is NFS Certified for hot water potable systems. Designed for long-term corrosion protection as well as resistant to steam out processes. Suitable for temperatures up to 203°F.

### PRE-KRETE (K)

An alternate to ATAHCO™ Cement, PRE-KRETE G-8 lining is suitable for storage of soft water with pH factor below 7, acidic water conditions. For steam condensate or applications with pH factor of 7 or greater, use PRE-KRETE C-17. The inside surface of the tank shall be thoroughly cleaned prior to application. The applied thickness is 5/8" and can withstand temperature to 350°F (standard design). For higher temperatures please contact factory.

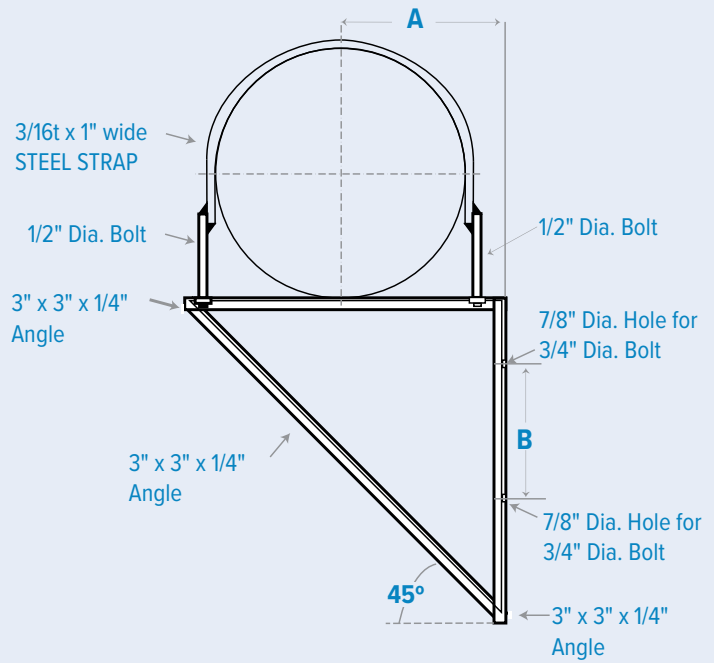
### GLASS (G)

Glass lining shall be ACE GLASS™ as applied by ACE HEATERS. The inside surface of the tank shall be thoroughly cleaned prior to application. Ceramic glass lining shall be fused to the steel shell at 1500°F. Lining shall have the same coefficient of expansion as the steel shell and be able to withstand abrupt changes in temperature. Lining shall be of a quality material and application as to resist corrosion. Magnesium and anodes are provided to help reduce electrolysis conditions. Suitable for potable water up to a maximum of 160°F.

### Expansion Tank Wall Bracket with Tie Down Straps

TANK DIA. (IN.)	A	B	WEIGHT
12	7 3/8	7	21
18	10 1/2	11	30
24	13 1/2	15	38
30	16 1/2	19	46

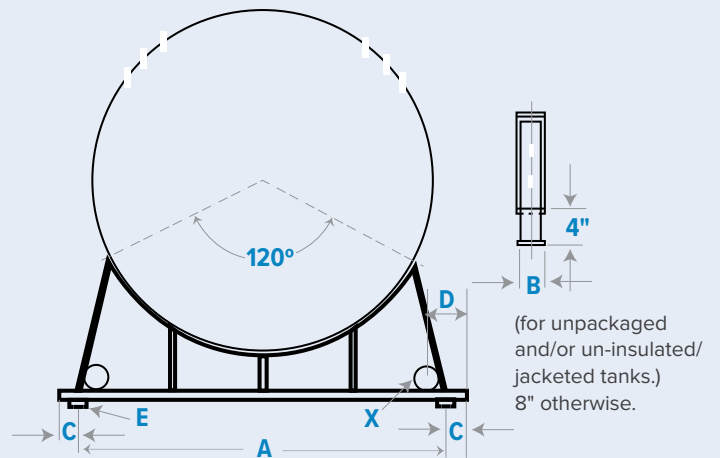
All dimensions are inches. Dimensions are in inches and are subject to production tolerances, subject to changes.



### Saddles

TANK DIA. (IN.)	A	B	C	D	E	WEIGHT (LBS.)
12	12 3/4	3	1	2	1	9
14	14	3	1	2	1	15
16	16	3	1	2	1	15
18	18	3	1	2	1 1/2	35
20	20	3	1	2	1 1/2	38
22	22	3	1	2	1 1/2	42
24	24	3	1	2	1 1/2	45
26	26	4	1 1/2	3	2	55
28	28	4	1 1/2	3	2	65
30	30	4	1 1/2	3	2	75
36	36	4	1 1/2	3	2	90
42	42	4	1 1/2	3	2 1/2	100
48	48	4	1 1/2	3	2 1/2	115
54	54	6	2	4	3	210
60	60	6	2	4	3	230
66	66	6	2	4	3	250
72	72	6	2	4	3	285

All dimensions are inches. Dimensions are in inches and are subject to production tolerances, subject to changes.



X - 1" Dia. hole type "B" saddles only.  
E - Leg coupling size type "P" saddles only.

**Note:** number of center supports dependent upon size of vessel.

Hold down straps may be provided at additional costs.

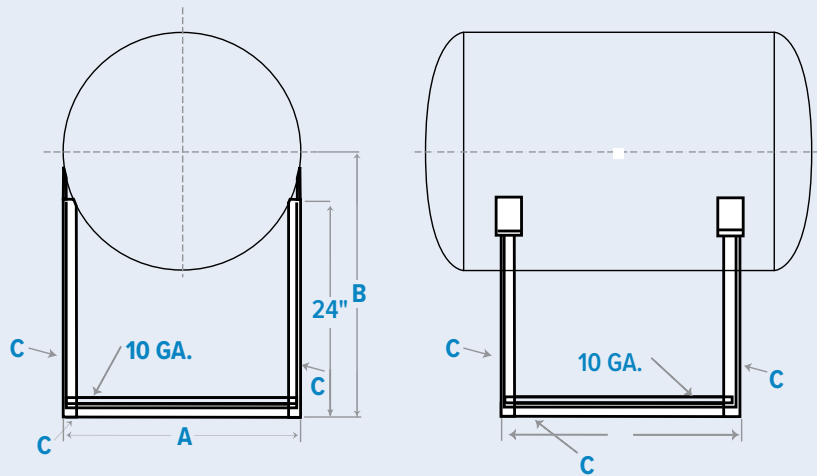
## Dimensions

### Tank Supports

#### Tank Stand

TANK DIA. (IN.)	A	B	C
12	11 1/2	28 3/4	2 x 2 x 1/4
16	15	30	2 x 2 x 1/4
18	16 11/16	30 1/2	2 x 2 x 1/4
20	18 3/8	31	2 x 2 x 1/4
24	21 3/4	32	2 x 2 x 1/4
30	26 11/16	34 3/4	3 x 3 x 1/4
36	31 9/16	36 3/4	3 x 3 x 1/4
42	36 3/8	38 1/4	3 x 3 x 1/4

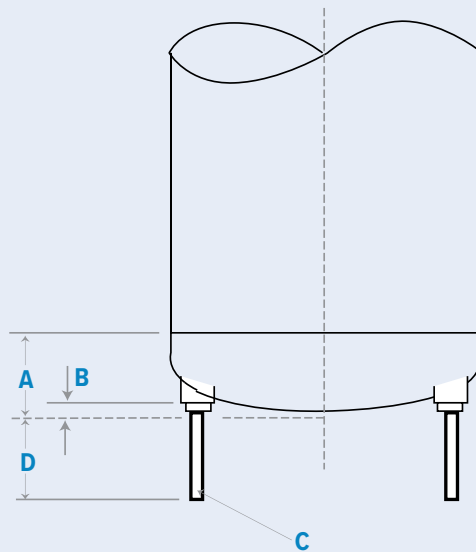
All dimensions are inches. If stand is used with a condensate return feedwater tank "B" dimensions should be increased. Subject to production tolerance, subject to changes.



#### Pipe Legs

TANK DIA. (IN.)	A	B	C	D	WEIGHT (LBS.)
12	4 1/2	0	3-1	8	7
18	6	1 1/2	3-1 1/2	8	7
24	7 1/2	1	3-1 1/2	8 1/2	7
30	9	2 1/2	3-1 1/2	11	9
36	10 1/2	4	3-1 1/2	9 1/2	9
42	12	4 1/2	3-2	13 1/2	17
48	13 1/2	6	3-2	13	17
54	15	8	3-2 1/2	11	17
60	16 1/2	9	4-2 1/2	11	27
66	18	10	4-2 1/2	12	39
72	19 1/2	10 1/2	4-2 1/2	12 1/2	39

All dimensions are in inches and are subject to production tolerances, subject to changes.

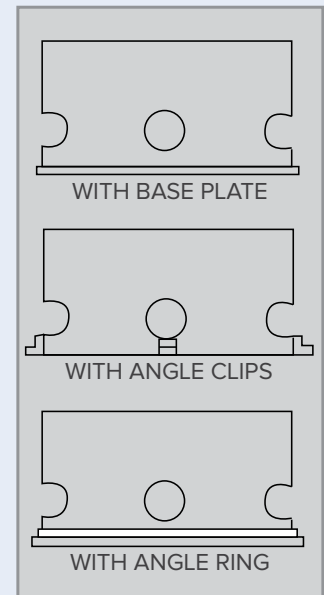
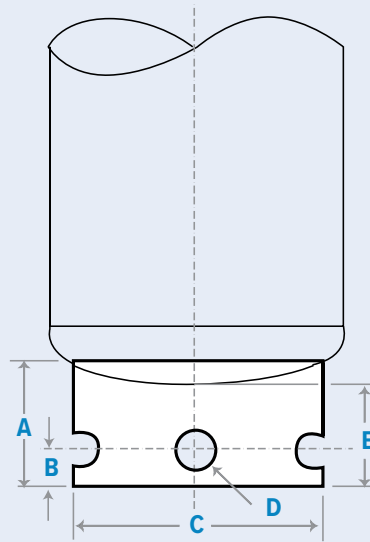


OPTIONAL: 6" SQUARE X 1/4" THICK PLATE PAD.  
These leg dimensions are for general applications.  
Dimensions are in inches.

## Ring Base

TANK DIA. (IN.)	A	B	C	D	E	WEIGHT (LBS.)
12	12	5	9	6	11	18
18	13	5	15	6	11	38
24	14	5	21	6	11	54
30	15 1/2	5	27	6	11	75
36	16 1/2	5	33	6	11	96
42	17 1/2	5	39	6	11	156
48	19	5	45	6	11	198
54	20 1/2	5	51	6	11	355
60	24	9 1/2	57	12 x 16	13 1/2	470
66	25	9 1/2	63	12 x 16	13 1/2	540
72	26 1/2	9 1/2	69	12 x 16	13 1/2	620

All dimensions are inches. Dimensions are in inches and are subject to production tolerances, subject to changes.



OPTIONAL BASES

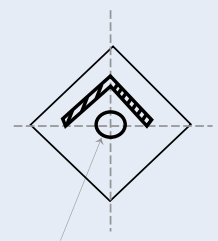
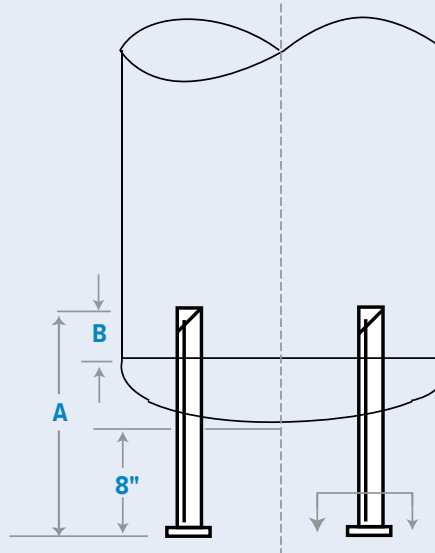
## Angle Legs

TANK DIA. (IN.)	A	B	NO. REQ.	WEIGHT (LBS.)
12	16 1/2	4	3	17
18	18	4	3	18
24	19 1/2	4	3	19
30	21	4	3	20
36	22 1/2	4	3	35
42	26	6	3	40
48	27 1/2	6	4	76
54	29	6	4	81
60	32 1/2	8	4	133
66	34	8	4	137
72	35 1/2	8	4	145

All dimensions are inches. Dimensions are in inches and are subject to production tolerances, subject to changes.

TANK DIA. (IN.)	ANGLE	PAD
12-30	2 x 2 x 1/4	4 x 4 x 1/4
36-42	3 x 3 x 1/4	6 x 6 x 1/4
48-54	3 x 3 x 3/8	6 x 6 x 1/4
60-72	4 x 4 x 3/8	8 x 8 x 3/8

All dimensions are inches. Dimensions are in inches and are subject to production tolerances, subject to changes.



OPTIONAL:  
6" SQUARE X 1/4"  
THICK PLATE PAD.



Ace Heaters  
130 Klug Circle  
Corona, CA 92880  
United States

**(951) 738-2230**  
**[info@aceheaters.com](mailto:info@aceheaters.com)**  
**[www.aceheaters.com](http://www.aceheaters.com)**

© 2024 ACE HEATERS  
PRINTED IN THE U.S.A.